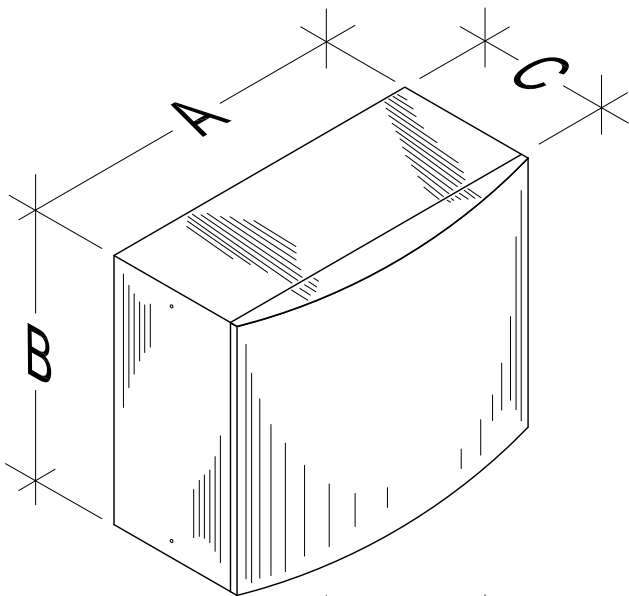




# TECHNICAL SPECIFICATION MANUAL

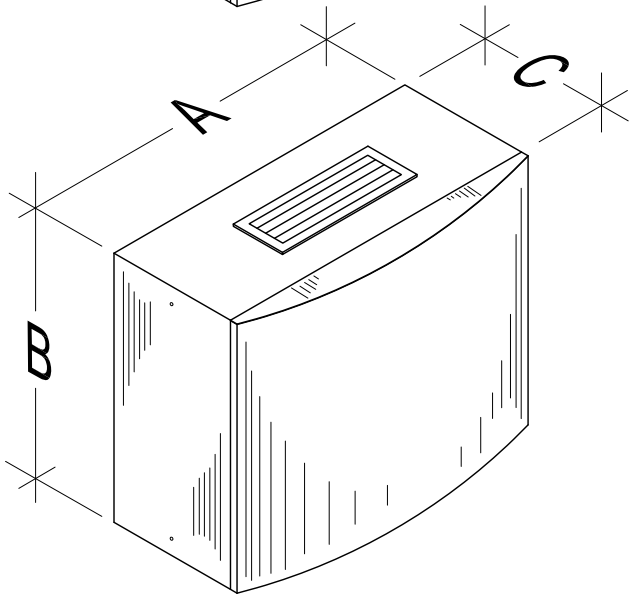
JANUARY 2023 (v.8.5)



### HI-KAB UPPER STORAGE MODULE

(A) WIDTH	(B) HEIGHT	*(C) DEPTH	NOM.WT.	SHIP WT.
30-1/8"	24"	12"	53 LBS	59 LBS

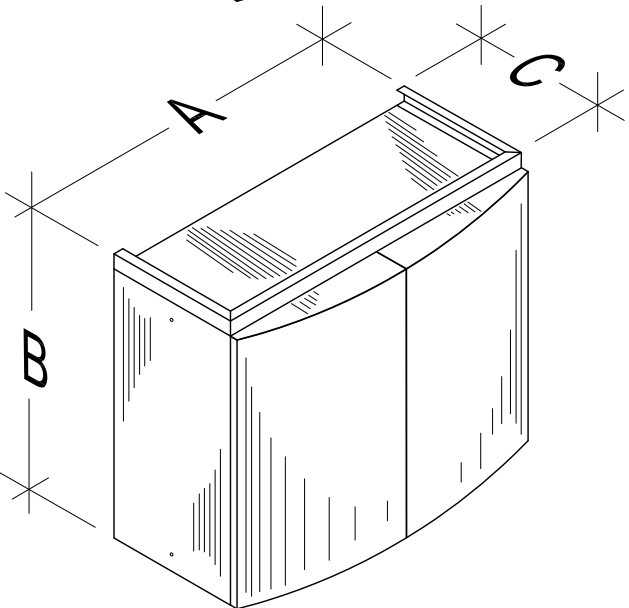
- \* ADD 2" FOR CURVED DOOR THICKNESS
  - INCLUDES ONE (1) STANDARD 50-LB LOAD-RATED ADJ SHELF
  - INCLUDES LOCK & KEY FOR SWING-UP DOOR
  - USE CS-18-S CABINET SPACER ACCESSORY FOR STACKING
- NOTE: ALLOW 1-1/4" CLEARANCE FROM TOP OF CABINET TO CEILING FOR PROPER DOOR OPERATION



### VENT-KAB UPPER VENTILATION MODULE

(A) WIDTH	(B) HEIGHT	*(C) DEPTH	NOM.WT.	SHIP WT.
30-1/8"	24"	12"	65 LBS	71 LBS

- \* ADD 2" FOR TOTAL CURVED DOOR THICKNESS
- INCLUDES LOCK & KEY FOR SWING-UP DOOR
- USED FOR LIGHT FUME & DUST REMOVAL FROM WORKSPACE
- CANNOT BE STACKED WITH OTHER MODULES
- NON-USEABLE SPACE INSIDE MODULE DUE TO EXHAUST FAN WORKING COMPONENTS
- REQUIRES 115/1/60 VOLTS HARD WIRE POWER ENTRY



### HI-KAB-2 UPPER STORAGE MODULE

(A) WIDTH	(B) HEIGHT	*(C) DEPTH	NOM.WT.	SHIP WT.
30-1/8"	25-1/4"	12"	55 LBS	61 LBS

- \* ADD 2" FOR CURVED DOOR THICKNESS
  - DOUBLE SWING-OUT DOORS ALLOW FOR LOW CEILING APPLICATIONS AND RESTRICTED FRONTAL ACCESS
  - INCLUDES ONE (1) STANDARD 50-LB LOAD-RATED ADJ SHELF
  - INCLUDES LOCK & KEY FOR SWING-OUT DOORS
  - INCLUDES CS-18-S CABINET SPACER ACCESSORY
- NOTE: MAY BE INSTALLED FLUSH TO CEILING

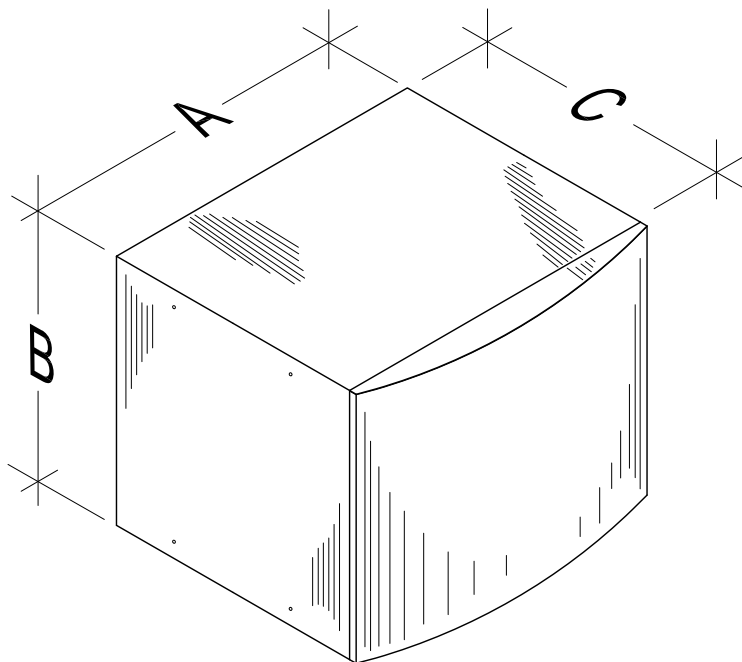


COPYRIGHT 2012-2023 - CONTUR CABINET LTD. - MONTREAL, CANADA  
SPECIFICATIONS SUBJECT TO CHANGE WITHOUT NOTICE

### HI-KAB / VENT-KAB SPECIFICATIONS CCL-01

PROJECT \_\_\_\_\_

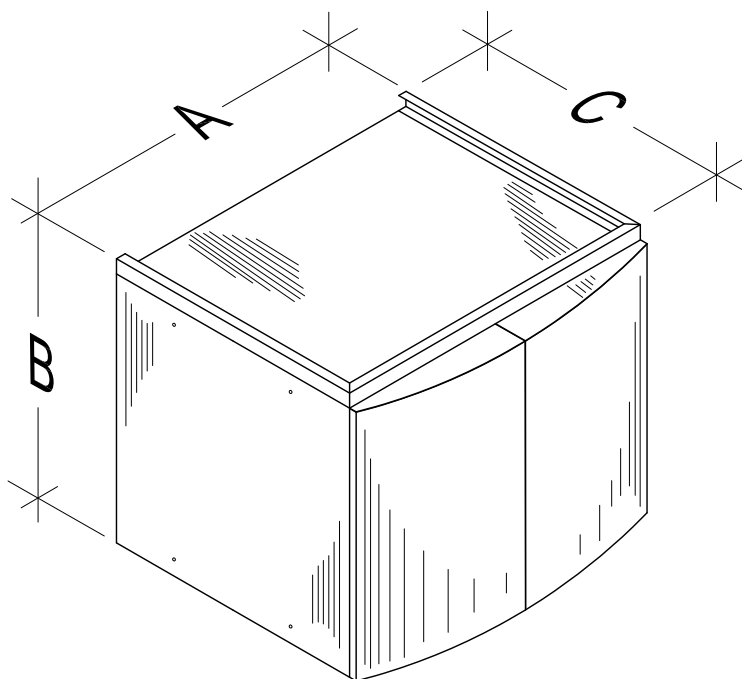
DATE \_\_\_\_\_ APPROVED \_\_\_\_\_



### HI-KAB+ EXT. UPPER STORAGE MODULE

(A) WIDTH	(B) HEIGHT	*(C) DEPTH	NOM.WT.	SHIP WT.
30-1/8"	24"	23-1/4"	75 LBS	82 LBS

- \* ADD 2" FOR CURVED DOOR THICKNESS
  - INCLUDES ONE (1) EXTENDED 100-LB LOAD-RATED ADJ SHELF
  - INCLUDES LOCK & KEY FOR SWING-UP DOOR
  - USE CS-18-L CABINET SPACER ACCESSORY FOR STACKING ( NOT REQUIRED FOR DUO/TRIO-KAB APPLICATIONS )
- NOTE: ALLOW 1-1/4" CLEARANCE FROM TOP OF CABINET TO CEILING FOR PROPER DOOR OPERATION



### HI-KAB+2 EXT. UPPER STORAGE MODULE

(A) WIDTH	(B) HEIGHT	*(C) DEPTH	NOM.WT.	SHIP WT.
30-1/8"	25-1/4"	23-1/4"	77 LBS	84 LBS

- \* ADD 2" FOR CURVED DOOR THICKNESS
  - DOUBLE SWING-OUT DOORS ALLOW FOR LOW CEILING APPLICATIONS AND RESTRICTED FRONTAL ACCESS
  - INCLUDES ONE (1) EXTENDED 100-LB LOAD-RATED ADJ SHELF
  - INCLUDES LOCK & KEY FOR SWING-OUT DOORS
  - INCLUDES CS-18-L CABINET SPACER ACCESSORY
- NOTE: MAY BE INSTALLED FLUSH TO CEILING

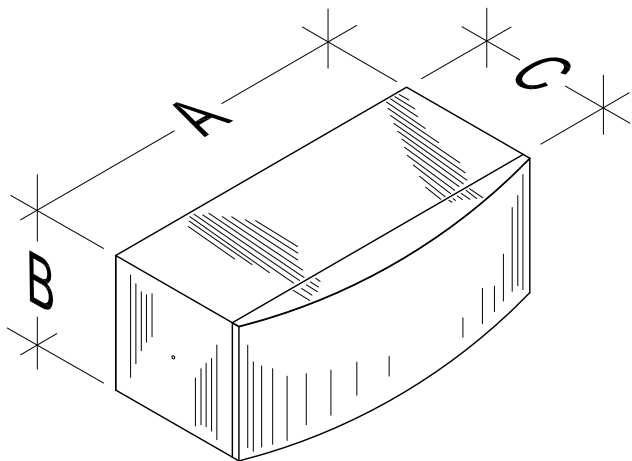


COPYRIGHT 2012-2023 - CONTUR CABINET LTD. - MONTREAL, CANADA  
SPECIFICATIONS SUBJECT TO CHANGE WITHOUT NOTICE

### HI-KAB+ SPECIFICATIONS CCL-02

PROJECT \_\_\_\_\_

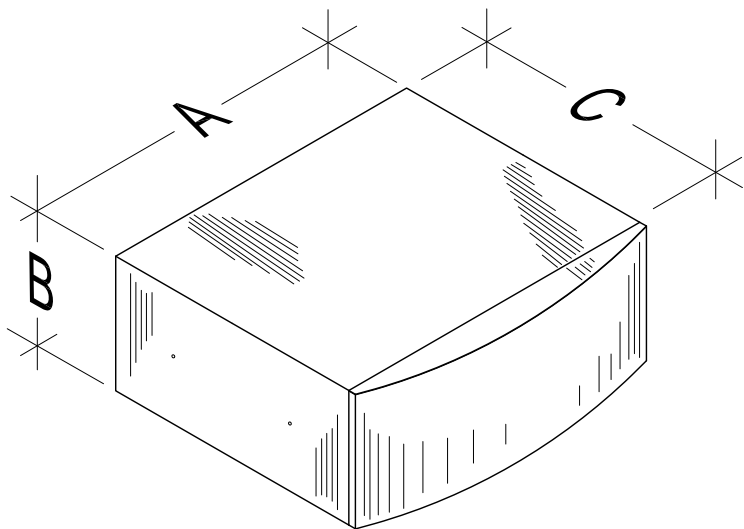
DATE \_\_\_\_\_ APPROVED \_\_\_\_\_



### HI-KAB KOMP. UPPER STORAGE MODULE

(A) WIDTH	(B) HEIGHT	*(C) DEPTH	NOM.WT.	SHIP WT.
30-1/8"	12"	12"	45 LBS	50 LBS

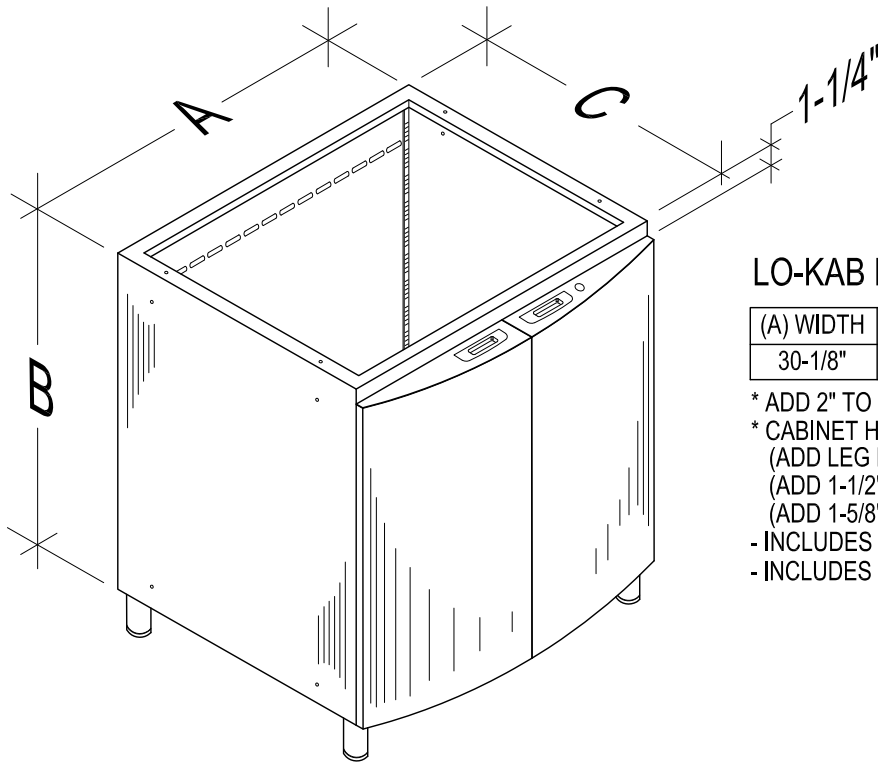
- \* ADD 2" FOR CURVED DOOR THICKNESS
- INCLUDES LOCK & KEY FOR SWING-UP DOOR
- USE CS-18-S CABINET SPACER ACCESSORY FOR STACKING
- NOTE: ALLOW 1-1/4" CLEARANCE FROM TOP OF CABINET TO CEILING FOR PROPER DOOR OPERATION
- LIMITED AVAILABILITY - VERIFY WITH FACTORY



### HI-KAB+ KOMP. UPPER STORAGE MODULE

(A) WIDTH	(B) HEIGHT	*(C) DEPTH	NOM.WT.	SHIP WT.
30-1/8"	12"	23-1/4"	51 LBS	57 LBS

- \* ADD 2" FOR CURVED DOOR THICKNESS
- INCLUDES LOCK & KEY FOR SWING-UP DOOR
- USE CS-18-L CABINET SPACER ACCESSORY FOR STACKING ( NOT REQUIRED FOR DUO/TRIO-KAB APPLICATIONS )
- NOTE: ALLOW 1-1/4" CLEARANCE FROM TOP OF CABINET TO CEILING FOR PROPER DOOR OPERATION



### LO-KAB LOWER CABINET MODULE

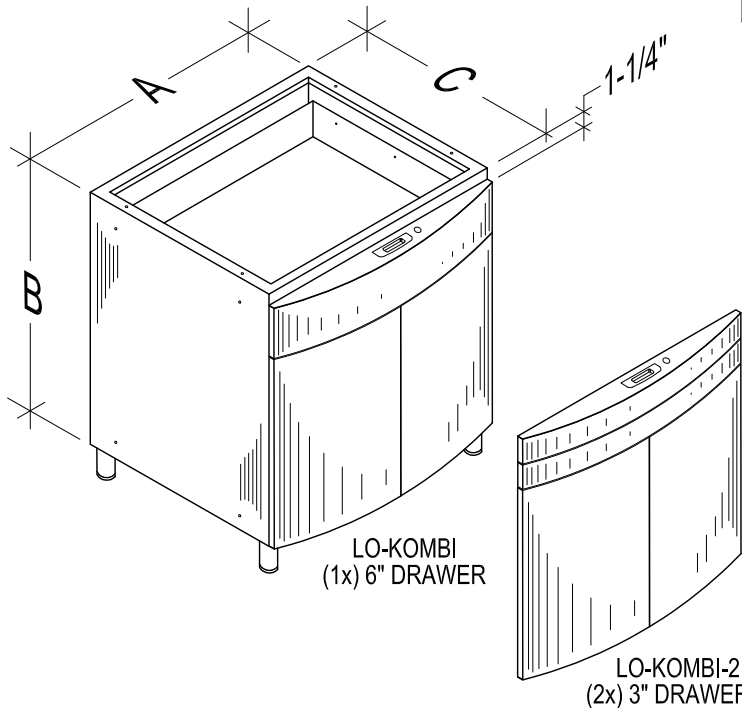
(A) WIDTH	*(B) HEIGHT	*(C) DEPTH	NOM.WT.	SHIP WT.
30-1/8"	32"	23-1/4"	85 LBS	98 LBS

- \* ADD 2" TO DEPTH FOR CURVED DOOR THICKNESS
- \* CABINET HEIGHT DOES NOT INCLUDE LEGS OR COUNTERTOP (ADD LEG HEIGHT OF 4" OR 6" TO OVERALL HEIGHT)
- (ADD 1-1/2" THICKNESS FOR MAPLE COUNTERTOP)
- (ADD 1-5/8" THICKNESS FOR STAINLESS COUNTERTOP)
- INCLUDES ONE (1) EXTENDED 100-LB LOAD-RATED ADJ SHELF
- INCLUDES LOCK & KEY FOR SWING-OUT DOORS

### LO-KOMBI LOWER CAB / DWR MODULES

(A) WIDTH	*(B) HEIGHT	*(C) DEPTH	NOM.WT.	SHIP WT.
30-1/8"	32"	23-1/4"	101 LBS	114 LBS

- \* ADD 2" TO DEPTH FOR CURVED DOOR THICKNESS
- \* CABINET HEIGHT DOES NOT INCLUDE LEGS OR COUNTERTOP (ADD LEG HEIGHT OF 4" OR 6" TO OVERALL HEIGHT)
- (ADD 1-1/2" THICKNESS FOR MAPLE COUNTERTOP)
- (ADD 1-5/8" THICKNESS FOR STAINLESS COUNTERTOP)
- INCLUDES ONE (1) EXTENDED 100-LB LOAD-RATED ADJ SHELF
- INCLUDES LOCK & KEY FOR TOP DRAWER ONLY
- INCLUDES NON-SLIP DRAWER LINER(S)

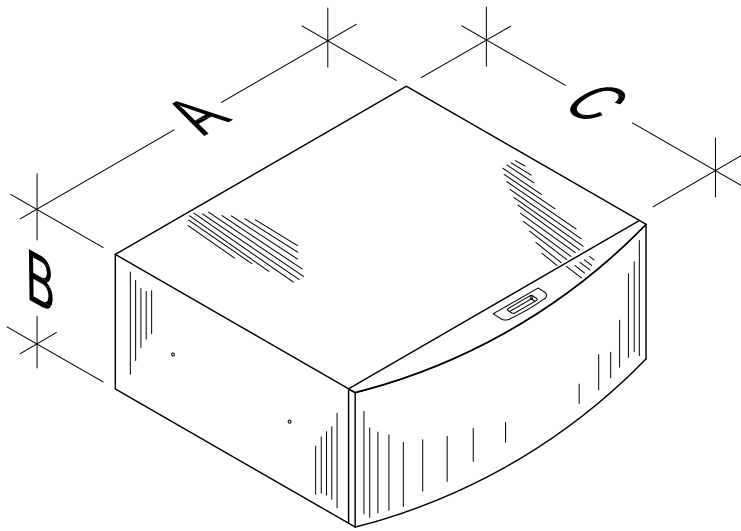


COPYRIGHT 2012-2023 - CONTUR CABINET LTD. - MONTREAL, CANADA  
 SPECIFICATIONS SUBJECT TO CHANGE WITHOUT NOTICE

### LO-KAB / LO-KOMBI SPECIFICATIONS CCL-04

PROJECT \_\_\_\_\_

DATE \_\_\_\_\_ APPROVED \_\_\_\_\_

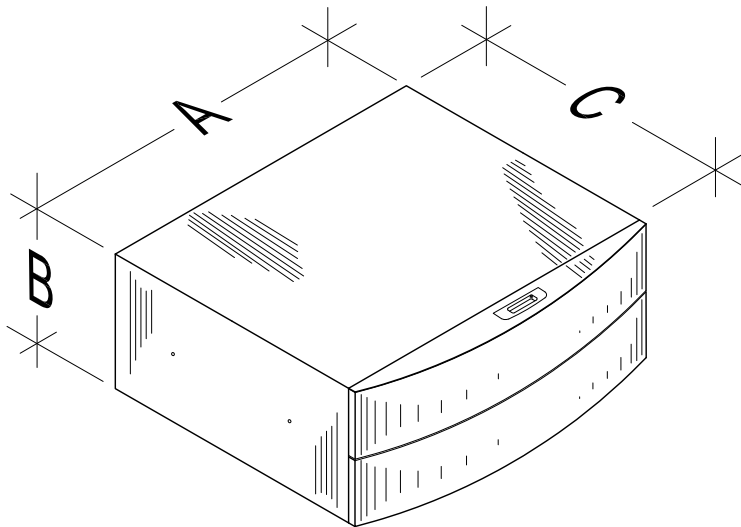


### LO-GLIDE1 LOWER DRAWER MODULE

(1x) 12" DRAWER - FULL EXT., 100-LB LOAD RTG

(A) WIDTH	*(B) HEIGHT	*(C) DEPTH	NOM.WT.	SHIP WT.
30-1/8"	12"	23-1/4"	78 LBS	87 LBS

- \* ADD 2" TO DEPTH FOR CURVED DOOR THICKNESS
- TO BE USED AS A STACKABLE DRAWER MODULE ON TOP OR BELOW ANY LOWER CABINET / DRAWER MODULE (MAY REQUIRE CS-18-L CABINET SPACER ACCESSORY)
- SINGLE DRAWER: TOUCH RELEASE DWR SLIDES
- NON-LOCKABLE DRAWER
- INCLUDES NON-SLIP DRAWER LINER

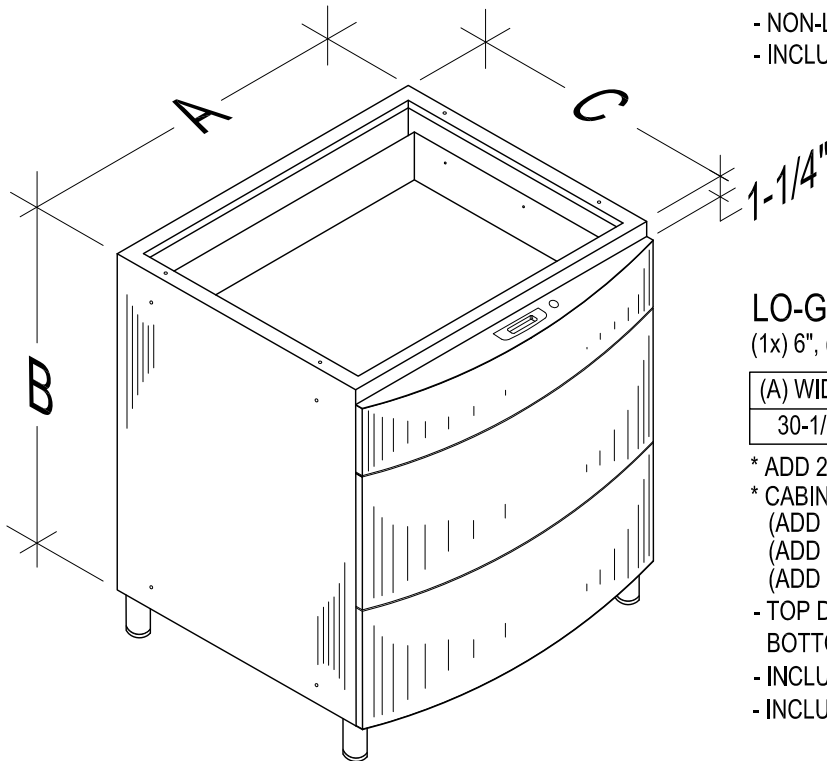


### LO-GLIDE2 LOWER DRAWER MODULE

(2x) 6" DRAWERS - FULL EXT., 100-LB LOAD RTG

(A) WIDTH	*(B) HEIGHT	*(C) DEPTH	NOM.WT.	SHIP WT.
30-1/8"	12"	23-1/4"	91 LBS	99 LBS

- \* ADD 2" TO DEPTH FOR CURVED DOOR THICKNESS
- TO BE USED AS A STACKABLE DRAWER MODULE ON TOP OR BELOW ANY LOWER CABINET / DRAWER MODULE (MAY REQUIRE CS-18-L CABINET SPACER ACCESSORY)
- TOP DRAWER: SOFT-CLOSE DWR SLIDES
- BOTTOM DRAWER: TOUCH-RELEASE DWR SLIDES
- NON-LOCKABLE DRAWERS
- INCLUDES TWO (2) NON-SLIP DRAWER LINERS



### LO-GLIDE3 LOWER DRAWER MODULE

(1x) 6", (2x) 12" DRAWERS - FULL EXT., 100-LB LOAD RTG

(A) WIDTH	*(B) HEIGHT	*(C) DEPTH	NOM.WT.	SHIP WT.
30-1/8"	32"	23-1/4"	142 LBS	163 LBS

- \* ADD 2" TO DEPTH FOR CURVED DOOR THICKNESS
- \* CABINET HEIGHT DOES NOT INCLUDE LEGS OR COUNTERTOP (ADD LEG HEIGHT OF 4" OR 6" TO OVERALL HEIGHT)
- (ADD 1-1/2" THICKNESS FOR MAPLE COUNTERTOP)
- (ADD 1-5/8" THICKNESS FOR STAINLESS COUNTERTOP)
- TOP DRAWER: SOFT-CLOSE DWR SLIDES
- BOTTOM DRAWERS: TOUCH-RELEASE DWR SLIDES
- INCLUDES LOCK & KEY FOR TOP DRAWER ONLY
- INCLUDES THREE (3) NON-SLIP DRAWER LINERS

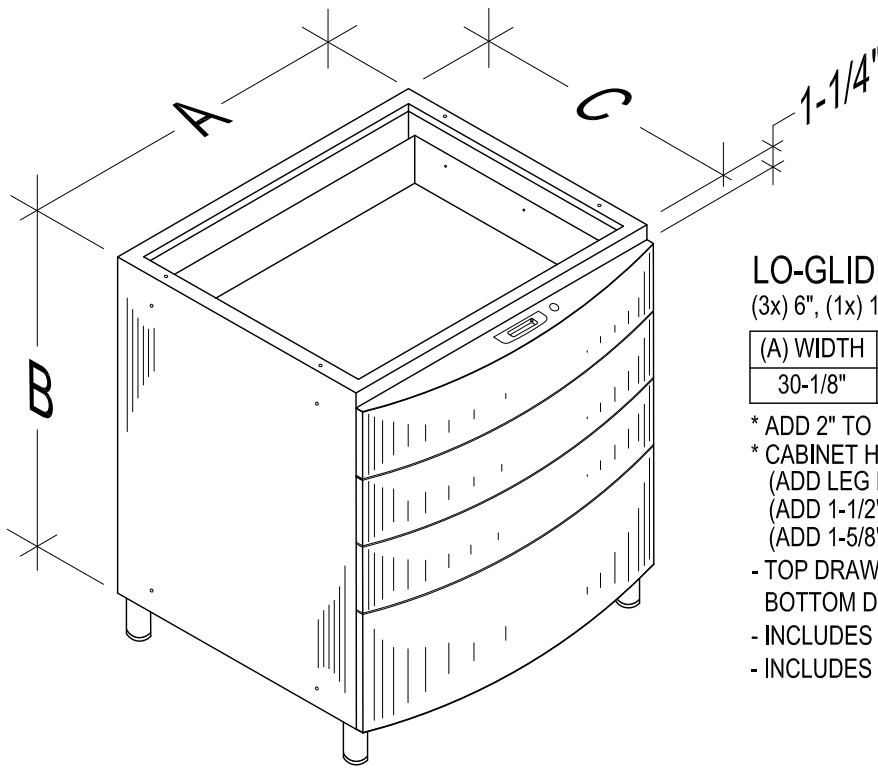


COPYRIGHT 2012-2023 - CONTUR CABINET LTD. - MONTREAL, CANADA  
SPECIFICATIONS SUBJECT TO CHANGE WITHOUT NOTICE

## LO-GLIDE1, 2 & 3 SPECIFICATIONS CCL-05

PROJECT \_\_\_\_\_

DATE \_\_\_\_\_ APPROVED \_\_\_\_\_

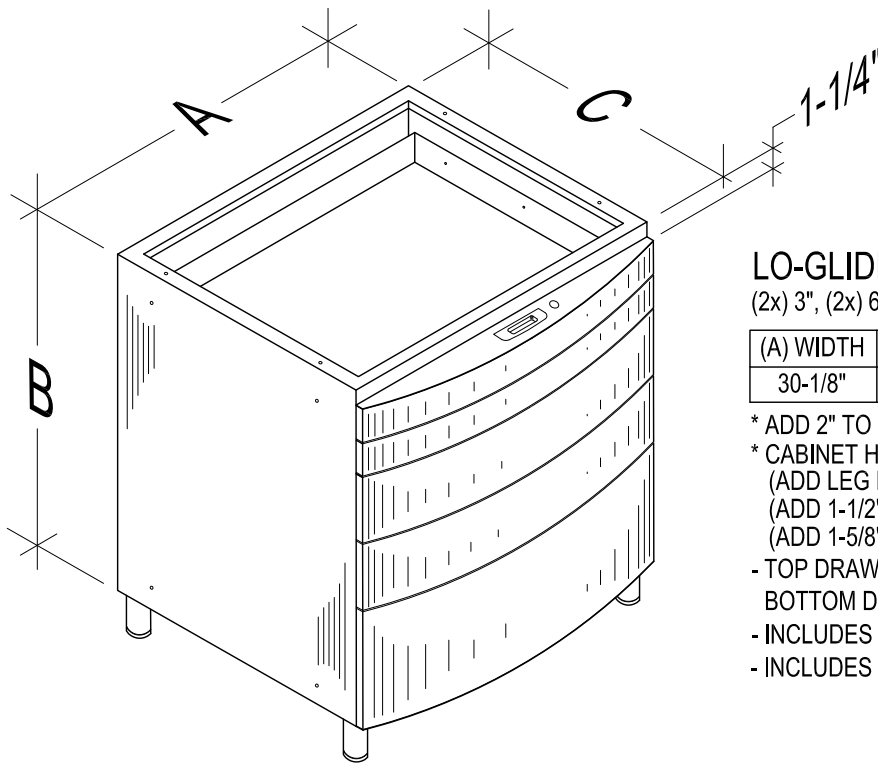


### LO-GLIDE4 LOWER DRAWER MODULE

(3x) 6", (1x) 12" DRAWERS - FULL EXT., 100-LB LOAD RTG

(A) WIDTH	*(B) HEIGHT	*(C) DEPTH	NOM.WT.	SHIP WT.
30-1/8"	32"	23-1/4"	147 LBS	160 LBS

- \* ADD 2" TO DEPTH FOR CURVED DOOR THICKNESS
- \* CABINET HEIGHT DOES NOT INCLUDE LEGS OR COUNTERTOP  
(ADD LEG HEIGHT OF 4" OR 6" TO OVERALL HEIGHT)  
(ADD 1-1/2" THICKNESS FOR MAPLE COUNTERTOP)  
(ADD 1-5/8" THICKNESS FOR STAINLESS COUNTERTOP)
- TOP DRAWER: SOFT-CLOSE DWR SLIDES
- BOTTOM DRAWERS: TOUCH-RELEASE DWR SLIDES
- INCLUDES LOCK & KEY FOR TOP DRAWER ONLY
- INCLUDES FOUR (4) NON-SLIP DRAWER LINERS



### LO-GLIDE5 LOWER DRAWER MODULE

(2x) 3", (2x) 6", (1x) 12" DRAWERS - FULL EXT., 100-LB LOAD RTG

(A) WIDTH	*(B) HEIGHT	*(C) DEPTH	NOM.WT.	SHIP WT.
30-1/8"	32"	23-1/4"	155 LBS	168 LBS

- \* ADD 2" TO DEPTH FOR CURVED DOOR THICKNESS
- \* CABINET HEIGHT DOES NOT INCLUDE LEGS OR COUNTERTOP  
(ADD LEG HEIGHT OF 4" OR 6" TO OVERALL HEIGHT)  
(ADD 1-1/2" THICKNESS FOR MAPLE COUNTERTOP)  
(ADD 1-5/8" THICKNESS FOR STAINLESS COUNTERTOP)
- TOP DRAWER: SOFT-CLOSE DWR SLIDES
- BOTTOM DRAWERS: TOUCH-RELEASE DWR SLIDES
- INCLUDES LOCK & KEY FOR TOP DRAWER ONLY
- INCLUDES FIVE (5) NON-SLIP DRAWER LINERS

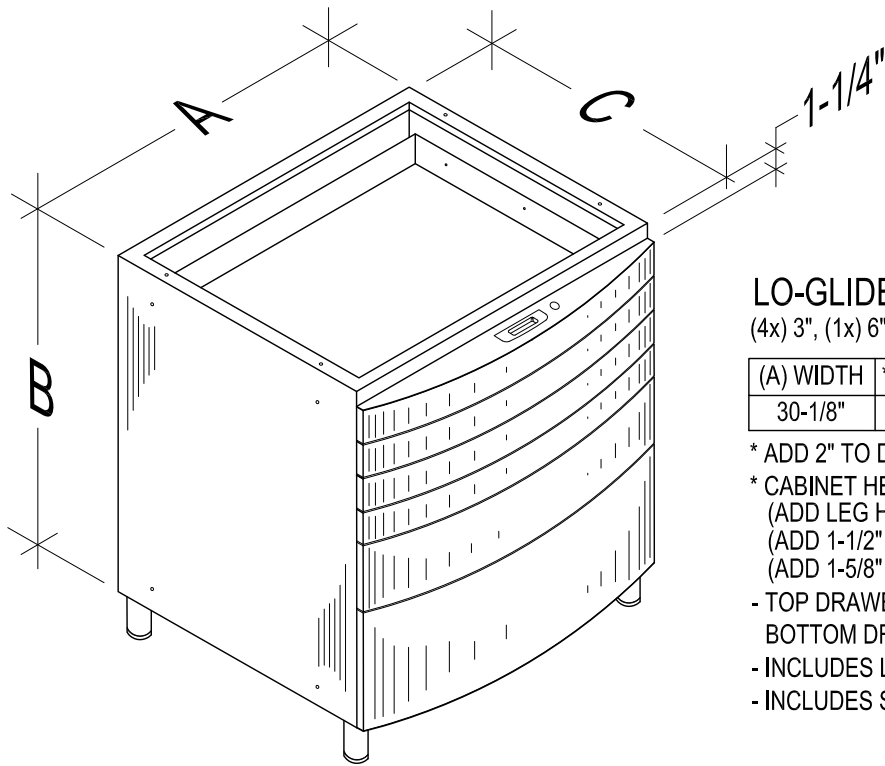


COPYRIGHT 2012-2023 - CONTUR CABINET LTD. - MONTREAL, CANADA  
SPECIFICATIONS SUBJECT TO CHANGE WITHOUT NOTICE

## LO-GLIDE4 / LO-GLIDE5 SPECIFICATIONS CCL-06

PROJECT \_\_\_\_\_

DATE \_\_\_\_\_ APPROVED \_\_\_\_\_



### LO-GLIDE6 LOWER DRAWER MODULE

(4x) 3", (1x) 6", (1x) 12" DRAWERS - FULL EXT., 100-LB LOAD RTG

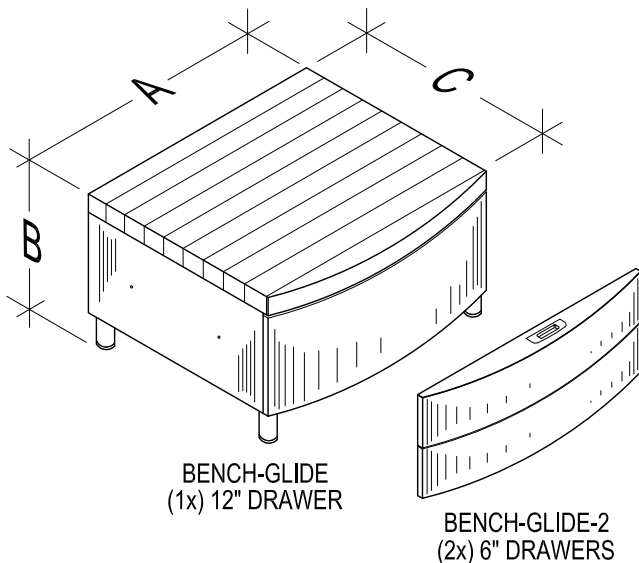
(A) WIDTH	*(B) HEIGHT	*(C) DEPTH	NOM.WT.	SHIP WT.
30-1/8"	32"	23-1/4"	160 LBS	173 LBS

- \* ADD 2" TO DEPTH FOR CURVED DOOR THICKNESS
- \* CABINET HEIGHT DOES NOT INCLUDE LEGS OR COUNTERTOP  
(ADD LEG HEIGHT OF 4" OR 6" TO OVERALL HEIGHT)  
(ADD 1-1/2" THICKNESS FOR MAPLE COUNTERTOP)  
(ADD 1-5/8" THICKNESS FOR STAINLESS COUNTERTOP)
- TOP DRAWER: SOFT-CLOSE DWR SLIDES  
BOTTOM DRAWERS: TOUCH-RELEASE DWR SLIDES
- INCLUDES LOCK & KEY FOR TOP DRAWER ONLY
- INCLUDES SIX (6) NON-SLIP DRAWER LINERS

### BENCH-GLIDE LOWER DRAWER MODULES

MODULE	(A) WIDTH	*(B) HEIGHT	*(C) DEPTH	NOM.WT.	SHIP WT.
BG-1	30-1/8"	17-1/2"	23-1/4"	89 LBS	98 LBS
BG-2	30-1/8"	17-1/2"	23-1/4"	102 LBS	111 LBS

- \* ADD 2" TO DEPTH FOR CURVED DOOR THICKNESS
- \* CABINET HEIGHT INCLUDES 4" LEGS AND MAPLE COUNTERTOP  
(ADD 1/8" THICKNESS FOR STAINLESS COUNTERTOP OPTION)
- INCLUDES MAPLE COUNTERTOP & ADJ 4"-5" BLACK MAT LEGS
- INCLUDES NON-SLIP DRAWER LINER(S)
- MODULE SHIPPED IN TWO INDIVIDUAL CARTONS
- NON-LOCKABLE DRAWER(S)
- BG-1, SINGLE DRAWER, TOUCH RELEASE DWR SLIDES
- BG-2, TWO DRAWERS, TOP DWR: SOFT-CLOSE DWR SLIDES  
BOTTOM DRAWER: TOUCH-RELEASE DWR SLIDES



BENCH-GLIDE  
(1x) 12" DRAWER

BENCH-GLIDE-2  
(2x) 6" DRAWERS



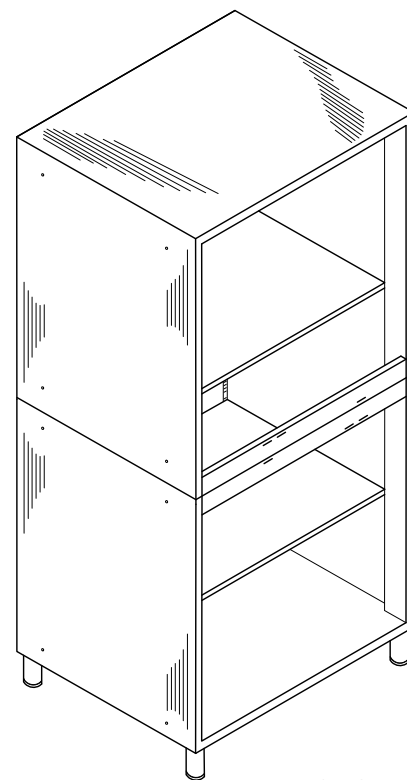
COPYRIGHT 2012-2023 - CONTUR CABINET LTD. - MONTREAL, CANADA  
SPECIFICATIONS SUBJECT TO CHANGE WITHOUT NOTICE

### LO-GLIDE6 / BENCH-GLIDE SPECIFICATIONS CCL-07

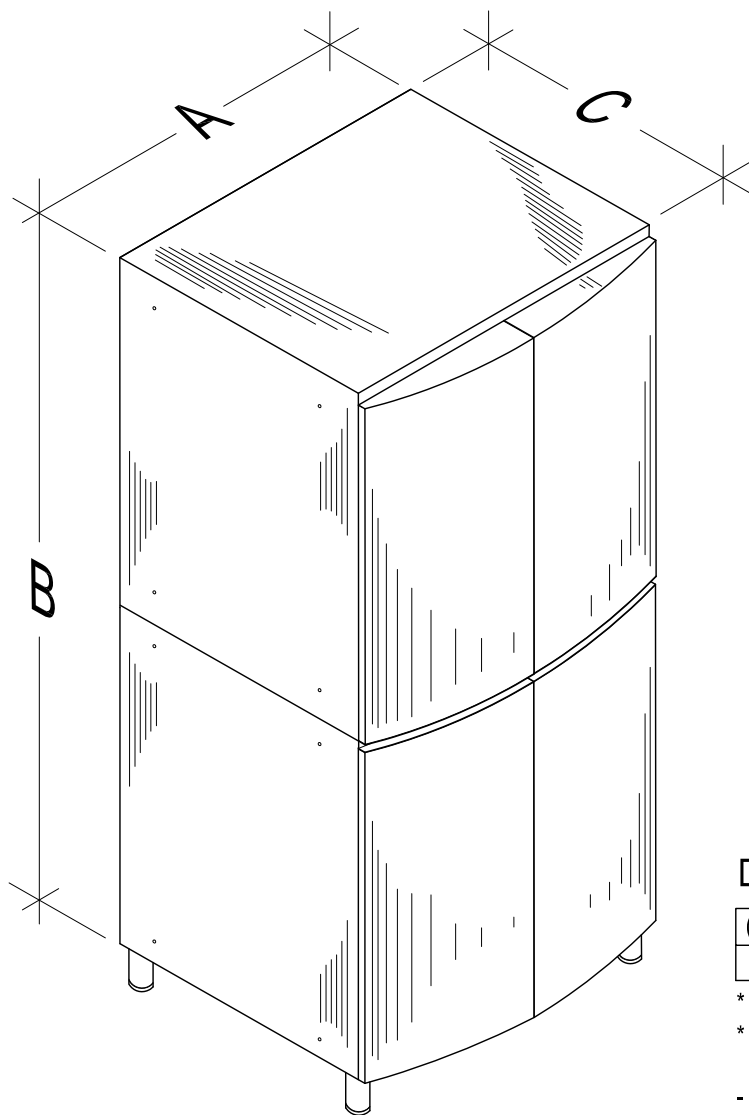
PROJECT \_\_\_\_\_

DATE \_\_\_\_\_ APPROVED \_\_\_\_\_





INTERIOR OF DUO-KAB  
SHOWN w/SHELVES  
(DOORS REMOVED FOR CLARITY)



### DUO-KAB DOUBLE STORAGE MODULE

(A) WIDTH	*(B) HEIGHT	*(C) DEPTH	NOM.WT.	SHIP WT.
30-1/8"	64"	23-1/4"	184 LBS	205 LBS

- \* ADD 2" TO DEPTH FOR CURVED DOOR THICKNESS
- \* CABINET HEIGHT DOES NOT INCLUDE LEGS  
(ADD LEG HEIGHT OF 4" OR 6" TO OVERALL HEIGHT)
- INCLUDES TWO (2) EXTENDED 100-LB LOAD-RTD ADJ SHELVES
- INCL. LOCKS & KEYS FOR TOP & BOTTOM SWING-OUT DOORS
- INCLUDES ESCUTCHEON TRIM PANEL FOR UPPER PORTION
- MODULE SHIPPED IN TWO INDIVIDUAL CARTONS
- WDT-01 WARDROBE TUBE ACCESSORY AVAILABLE
- USE DIV-18 ACCESSORY TO DIVIDE INTO TWO COMPARTMENTS  
(SEE PAGE CCL-14)

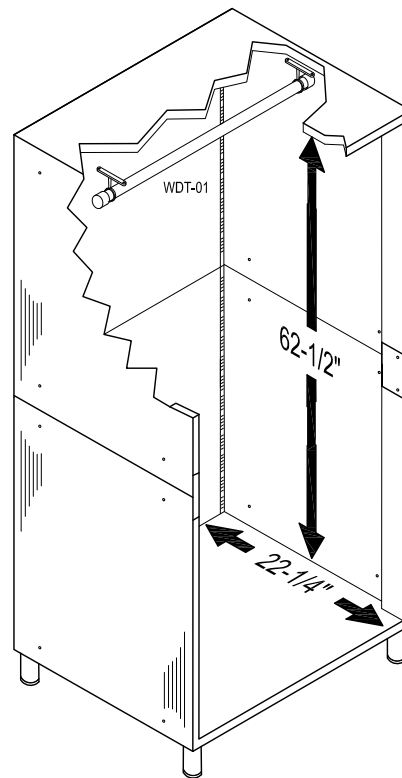


COPYRIGHT 2012-2023 - CONTUR CABINET LTD. - MONTREAL, CANADA  
SPECIFICATIONS SUBJECT TO CHANGE WITHOUT NOTICE

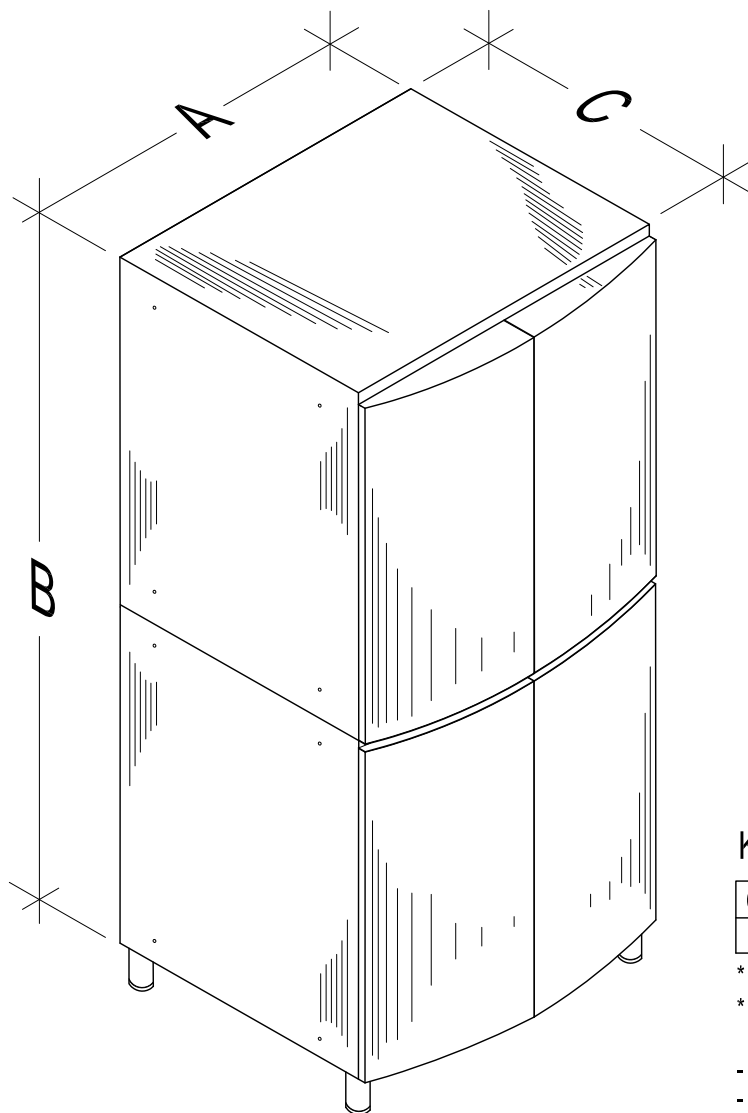
### DUO-KAB SPECIFICATIONS CCL-08

PROJECT \_\_\_\_\_

DATE \_\_\_\_\_ APPROVED \_\_\_\_\_



INTERIOR OF KLOSET-KAB  
SHOWN w/WARDROBE TUBE  
(DOORS REMOVED FOR CLARITY)



### KLOSET-KAB TALL STORAGE MODULE

(A) WIDTH	*(B) HEIGHT	*(C) DEPTH	NOM.WT.	SHIP WT.
30-1/8"	64"	23-1/4"	184 LBS	205 LBS

- \* ADD 2" TO DEPTH FOR CURVED DOOR THICKNESS
- \* CABINET HEIGHT DOES NOT INCLUDE LEGS  
(ADD LEG HEIGHT OF 4" OR 6" TO OVERALL HEIGHT)
- INCLUDES WDT-01 WARDROBE TUBE (FACTORY-INSTALLED)
- TWINNED NON-LOCKING TOP & BOTTOM SWING-OUT DOORS
- SH-22 CABINET SHELVES AVAILABLE (SEE PAGE CCL-12a)
- INCLUDES ESCUTCHEON TRIM PANEL FOR UPPER PORTION
- MODULE SHIPPED IN TWO INDIVIDUAL CARTONS

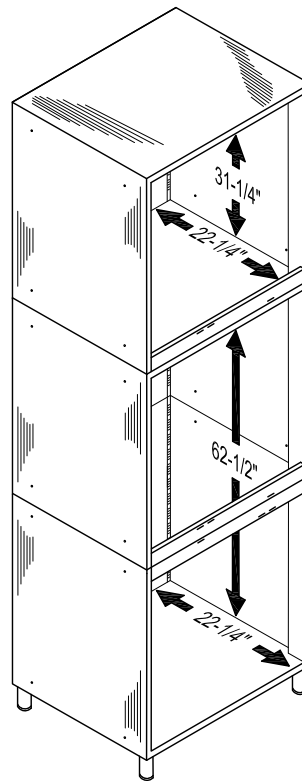
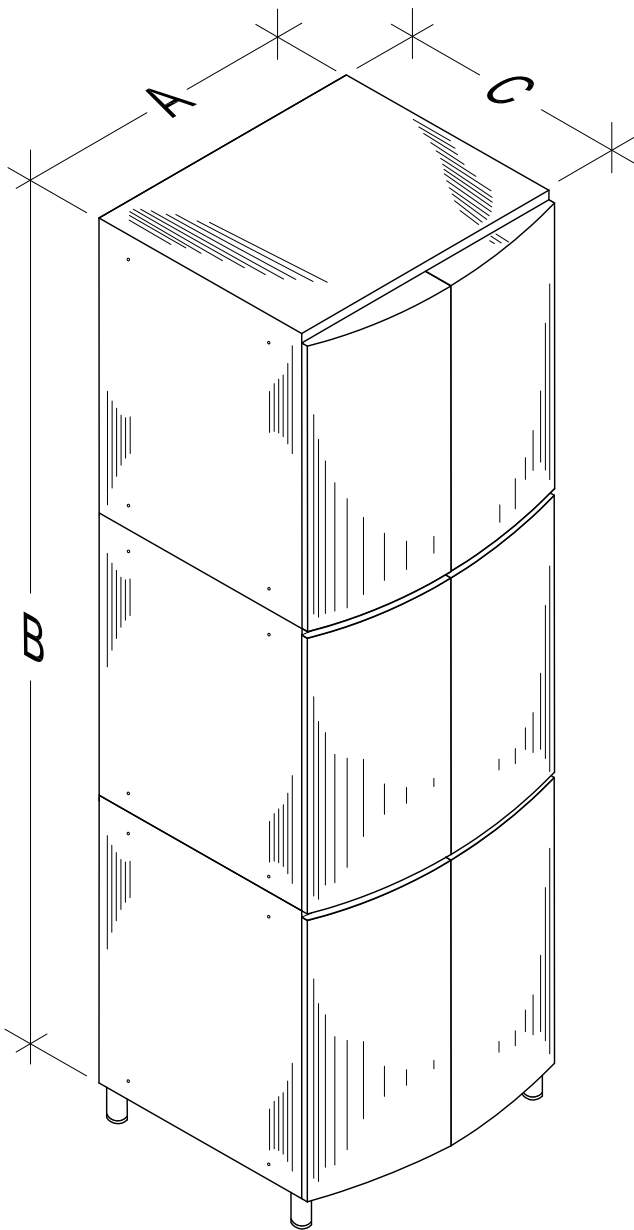


COPYRIGHT 2012-2023 - CONTUR CABINET LTD. - MONTREAL, CANADA  
SPECIFICATIONS SUBJECT TO CHANGE WITHOUT NOTICE

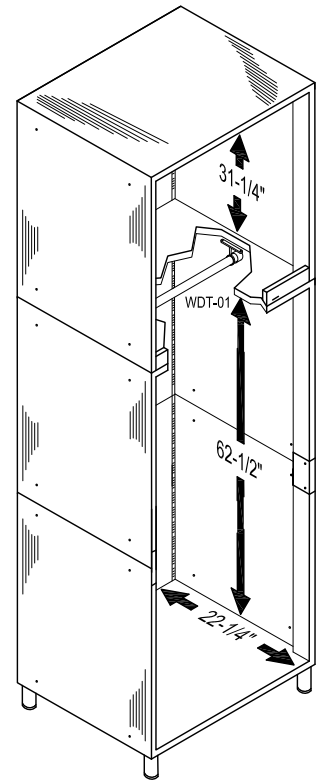
### KLOSET-KAB SPECIFICATIONS CCL-09

PROJECT \_\_\_\_\_

DATE \_\_\_\_\_ APPROVED \_\_\_\_\_



TRIO-KAB-D w/ 3-SHELVES  
ALL LOCKABLE DOORS



TRIO-KAB-K w/ 1-SHELF  
(KLOSET VERSION)  
- LOCKABLE DOORS ON  
TOP MODULE ONLY

### TRIO-KAB TRIPLE STORAGE MODULE

(A) WIDTH	*(B) HEIGHT	*(C) DEPTH	NOM.WT.	SHIP WT.
30-1/8"	96"	23-1/4"	276 LBS	308 LBS

- \* ADD 2" TO DEPTH FOR CURVED DOOR THICKNESS
- \* CABINET HEIGHT DOES NOT INCLUDE LEGS  
(ADD LEG HEIGHT OF 4" OR 6" TO OVERALL HEIGHT)
- \* MODULE SHIPPED IN THREE INDIVIDUAL CARTONS
- \* INCLUDES ESCUTCHEON TRIM PANEL FOR UPPER PORTION
- \* USE DIV-18 ACCESSORY TO DIVIDE LOWER PORTION  
INTO TWO COMPARTMENTS (SEE PAGE CCL-14)

NOTE: INTERIOR COMPARTMENT OF TOP MODULE OF TRIO-KAB  
IS NOT INTERCONNECTED WITH BOTH LOWER MODULES

(TRIO-KAB-D - ALL LOCKABLE DOORS)

- INCLUDES THREE (3) EXTENDED 100-LB LOAD-RTD ADJ SHELVES
- INCL. LOCKS & KEYS FOR TOP / MID / BOTTOM SWING-OUT DOORS

(TRIO-KAB-K - LOCKABLE DOORS ON TOP MODULE ONLY)

- INCLUDES ONE (1) EXTENDED 100-LB LOAD-RTD ADJ SHELF
- INCLUDES WDT-01 WARDROBE TUBE (FACTORY-INSTALLED)
- TWINNED NON-LOCKING MID & BOTTOM SWING-OUT DOORS

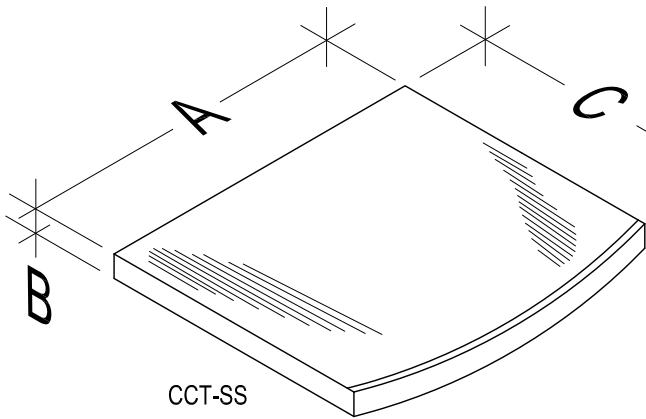


COPYRIGHT 2012-2023 - CONTUR CABINET LTD. - MONTREAL, CANADA  
SPECIFICATIONS SUBJECT TO CHANGE WITHOUT NOTICE

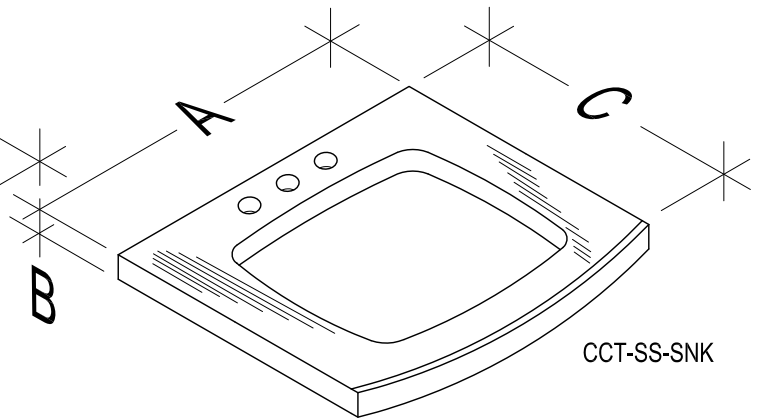
### TRIO-KAB SPECIFICATIONS CCL-10

PROJECT \_\_\_\_\_

DATE \_\_\_\_\_ APPROVED \_\_\_\_\_



CCT-SS

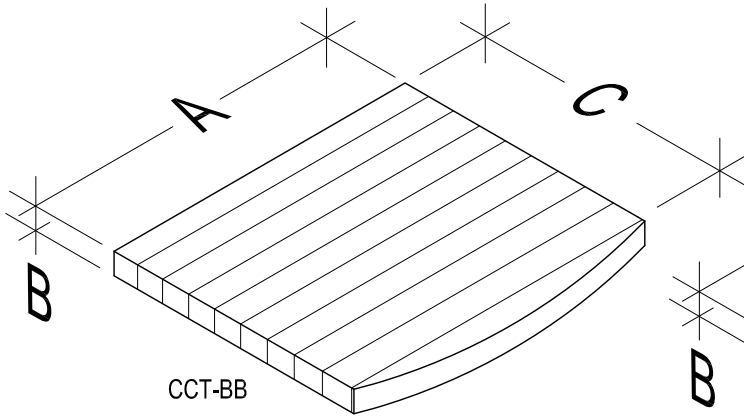


CCT-SS-SNK

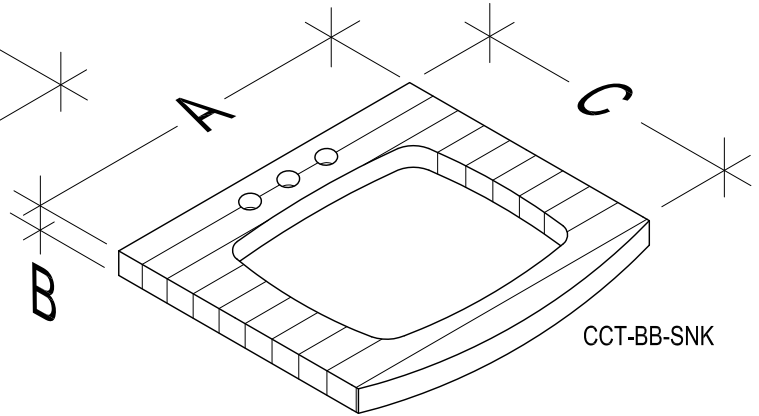
### CCT-SS STAINLESS-STEEL COUNTERTOPS

(A) WIDTH	(B) HEIGHT	*(C) DEPTH	NOM.WT.	SHIP WT.
30-1/8"	1-5/8"	24-1/8"	21 LBS	24 LBS

- \* ADD 1-1/8" TO DEPTH FOR COUNTERTOP CONTOUR
- 16 GAUGE GRADE 304, No.4 BRUSHED FINISH, MIRROR FINISH ON TOP FRONT LEADING EDGE
- SPECIFY WITH OR WITHOUT SINK CUTOUT



CCT-BB

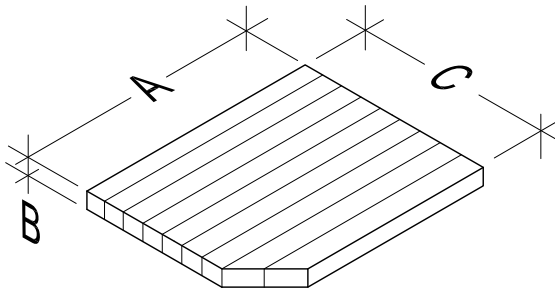


CCT-BB-SNK

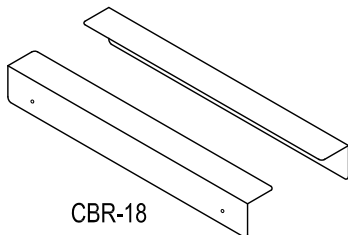
### CCT-BB / CCT-BB-C90 MAPLE COUNTERTOPS

PART No.	(A) WIDE	(B) HIGH	(C) DEEP	NOM.WT.	SHIP WT.
CCT-BB	30-1/8"	1-1/2"	24"	29 LBS	32 LBS
CCT-BB-C90	27-1/8"	1-1/2"	27-1/8"	28 LBS	31 LBS

- \* FOR CCT-BB, ADD 1-1/8" TO DEPTH FOR COUNTERTOP CONTOUR
- SPECIFY WITH OR WITHOUT SINK CUTOUT
- GENUINE SELECT NORTH AMERICAN MAPLE BUTCHER BLOCK WITH DURAKRYL LAQUERED MATTE FINISH



CCT-BB-C90



CBR-18

### COUNTER BRACKET KIT (PAINTED)

PART No.	DIM.	FINISH	NOM WT.	SHIP WT.
CBR-18	2-1/4" x 2-1/4"	MAT BLACK	3 LB	3.5 LB

- FOR COUNTERTOP INSTALLATION ABOVE EMPTY SPACE BETWEEN TWO ADJACENT CABINETS
- MOUNTS TO CABINET TWINNING HOLES (INCL. HARDWARE)
- FIELD-INSTALLED ACCESSORY ITEM

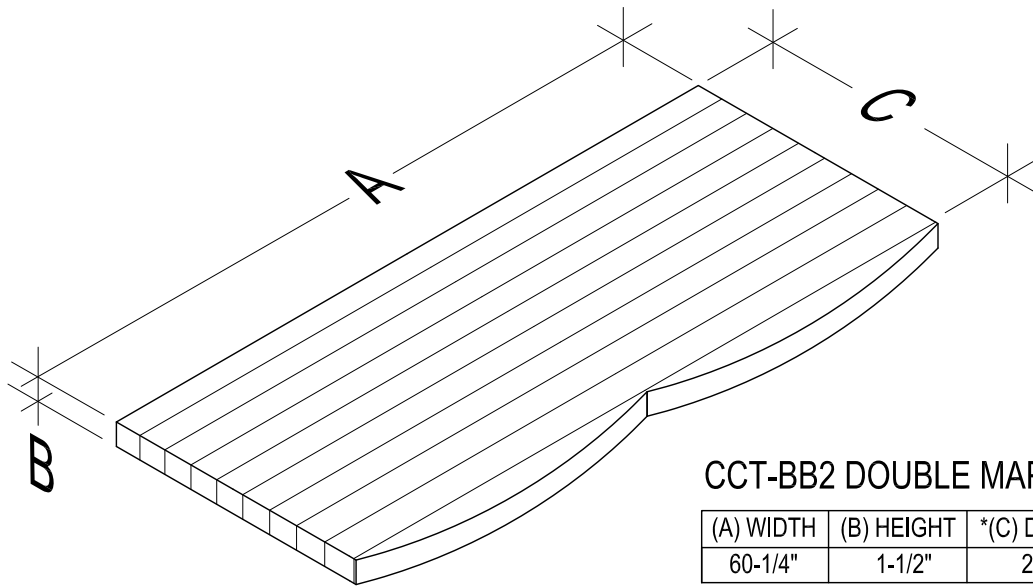


COPYRIGHT 2012-2023 - CONTUR CABINET LTD. - MONTREAL, CANADA  
SPECIFICATIONS SUBJECT TO CHANGE WITHOUT NOTICE

### STANDARD COUNTERTOP SPECIFICATIONS CCL-11

PROJECT \_\_\_\_\_

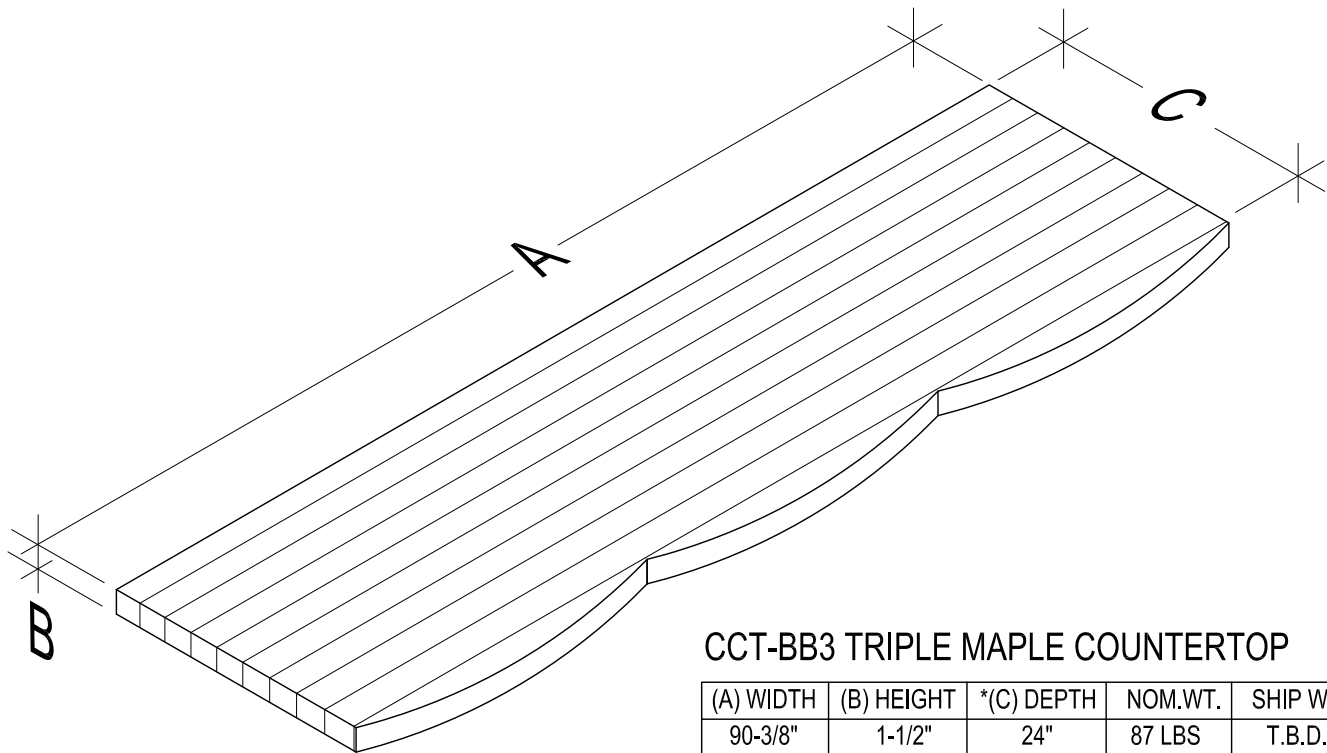
DATE \_\_\_\_\_ APPROVED \_\_\_\_\_



### CCT-BB2 DOUBLE MAPLE COUNTERTOP

(A) WIDTH	(B) HEIGHT	*(C) DEPTH	NOM.WT.	SHIP WT.
60-1/4"	1-1/2"	24"	58 LBS	T.B.D.

- \* ADD 1-1/8" TO DEPTH FOR COUNTERTOP CONTOUR
- GENUINE SELECT NORTH AMERICAN MAPLE BUTCHER BLOCK WITH DURAKRYL LAQUERED MATTE FINISH



### CCT-BB3 TRIPLE MAPLE COUNTERTOP

(A) WIDTH	(B) HEIGHT	*(C) DEPTH	NOM.WT.	SHIP WT.
90-3/8"	1-1/2"	24"	87 LBS	T.B.D.

- \* ADD 1-1/8" TO DEPTH FOR COUNTERTOP CONTOUR
- GENUINE SELECT NORTH AMERICAN MAPLE BUTCHER BLOCK WITH DURAKRYL LAQUERED MATTE FINISH
- AVAILABLE ONLY ON SPECIAL ORDER

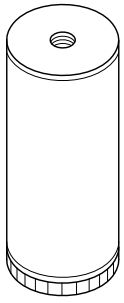


COPYRIGHT 2012-2023 - CONTUR CABINET LTD. - MONTREAL, CANADA  
 SPECIFICATIONS SUBJECT TO CHANGE WITHOUT NOTICE

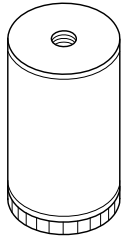
## SP. ORDER COUNTERTOP SPECIFICATIONS CCL-12

PROJECT \_\_\_\_\_

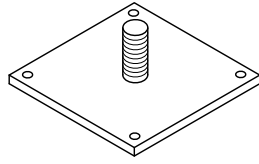
DATE \_\_\_\_\_ APPROVED \_\_\_\_\_



LEG6-BLK  
LEG6-CH  
LEG6-SS



LEG4-BLK  
LEG4-CH  
LEG4-SS



MTG.PLATE

### LEGS & TOE-KICK FOR LOWER CABINETS

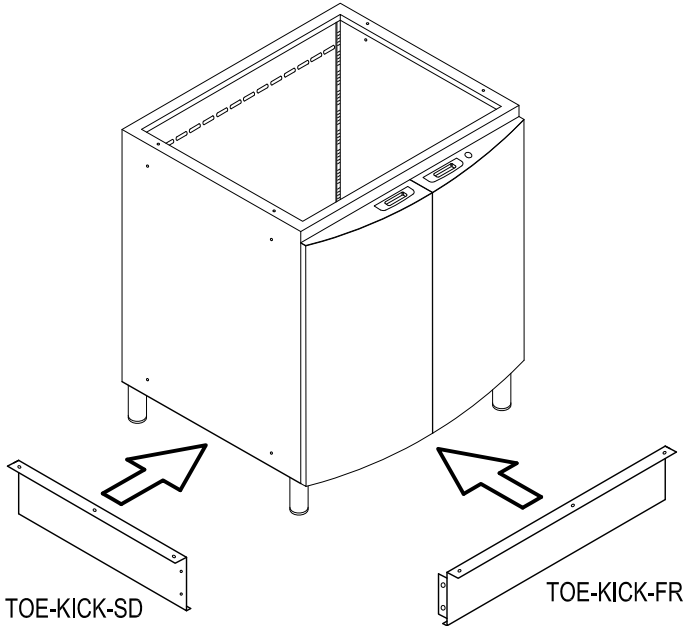
PART No.	HEIGHT	FINISH	NOM WT	SHIP WT
LEG4-BLK	ADJ. 4" - 5"	MAT BLACK	3 LBS	3.5 LBS
LEG4-CH	ADJ. 4" - 5"	CHROME	3 LBS	3.5 LBS
LEG4-SS	ADJ. 4" - 5"	STAINLESS	3 LBS	3.5 LBS
LEG6-BLK	ADJ. 6" - 7"	MAT BLACK	3.5 LBS	4 LBS
LEG6-CH	ADJ. 6" - 7"	CHROME	3.5 LBS	4 LBS
LEG6-SS	ADJ. 6" - 7"	STAINLESS	3.5 LBS	4 LBS
TOE-KICK	4" HIGH	MAT BLACK	7 LBS	8.5 LBS

#### LEG KITS

- 2" DIAMETER TUBULAR DESIGN
- INCLUDES MOUNTING PLATES & HARDWARE

#### TOE-KICKS

- FR - 30" WIDE X 4" HIGH, 18-GAUGE STEEL CONSTRUCTION
- SD - 23" WIDE X 4" HIGH, 18-GAUGE STEEL CONSTRUCTION
- ATTACHES TO PRE-DRILLED HOLES ON CABINET UNDERSIDE
- REQUIRES PURCHASE OF 4" LEG KIT (LEG4-BLK / SS / CH)
- ELECTROSTATIC POWDER-COAT BLACK TEXTURED PAINT (CUSTOM PAINT-TO-MATCH COLORS AVAILABLE)



### WARDROBE TUBE KIT (FITS DUO / TRIO-KAB)

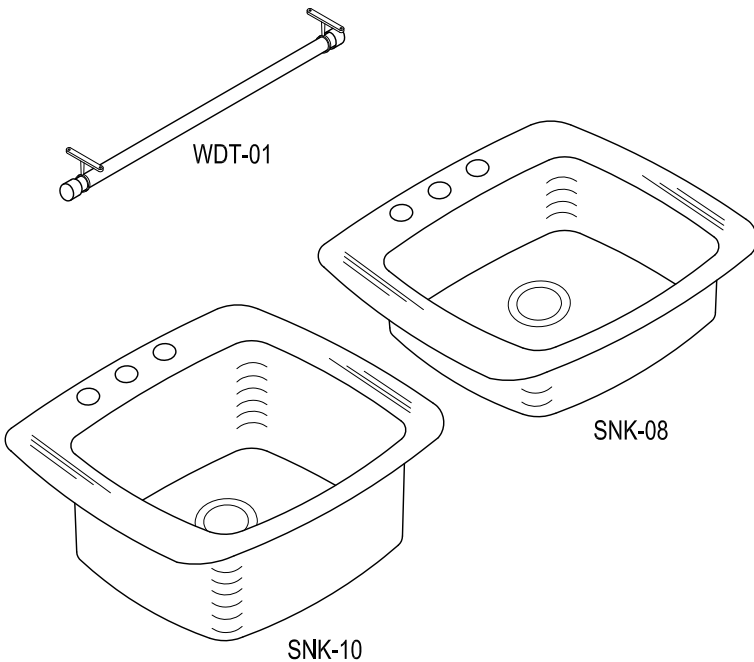
PART No.	TUBE DIA.	FINISH	NOM WT.	SHIP WT.
WDT-01	1-3/8"	MAT BLACK	1 LB	1 LB

- INCLUDES MOUNTING BRACKETS & HARDWARE
- SUPPORTS UP TO 75 LBS
- FACTORY-INSTALLED ACCESSORY ITEM ONLY

### STAINLESS-STEEL SINKS (FITS LO-KAB)

PART No.	DEPTH	FINISH	NOM WT.	SHIP WT.
SNK-08	8"	POLISHED	11 LBS	15 LBS
SNK-10	10"	POLISHED	13 LBS	18 LBS

- ADAPTABLE WITH MOST STD KITCHEN / UTILITY FAUCETS
- INCLUDES DRAIN SPIGOT AND SINK MOUNTING HARDWARE
- INCLUDES PHYSICAL CUTOUT ON CABINET BACK
- REQUIRES MAPLE OR STAINLESS-STEEL COUNTERTOP  
MAPLE: CCT-BB-SNK OR STAINLESS-STEEL: CCT-SS-SNK
- FIELD-INSTALLED ACCESSORY ITEM ONLY

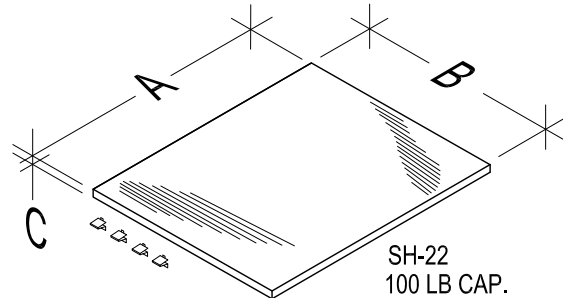
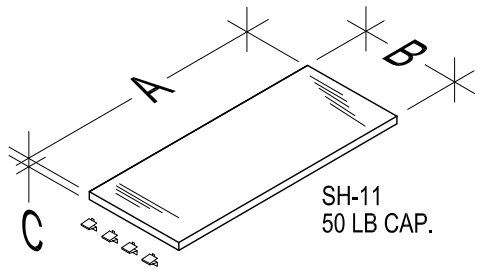


COPYRIGHT 2012-2023 - CONTUR CABINET LTD. - MONTREAL, CANADA  
SPECIFICATIONS SUBJECT TO CHANGE WITHOUT NOTICE

### CABINET ACCESSORY SPECIFICATIONS CCL-13

PROJECT \_\_\_\_\_

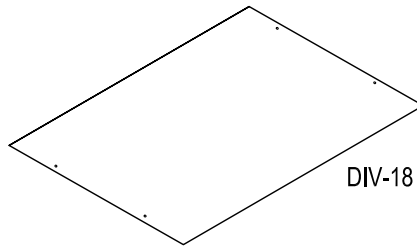
DATE \_\_\_\_\_ APPROVED \_\_\_\_\_



### ADDT'L CABINET SHELVES (50 LB. & 100 LB. CAP)

PART No.	(A) WIDTH	(B) DEPTH	(C) THICK	NOM.WT.	SHIP WT.
SH-11	29-3/4"	8-7/8"	7/8"	4 LBS	4 LBS
SH-22	29-3/4"	20-1/8"	7/8"	8 LBS	8 LBS

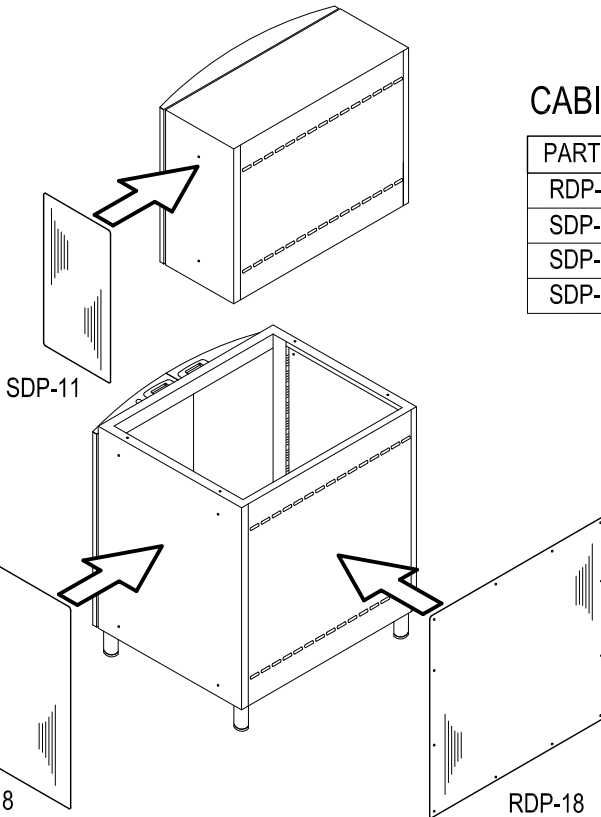
- ALL-METAL MITRED-CORNER CONSTRUCTION
- ELECTROSTATIC POWDER-COAT BLACK TEXTURED PAINT FINISH
- INCLUDES 4x PILASTER MOUNTING CLIPS PER SHELF
- SH-11: FITS HI-KAB MODULES
- SH-22: FITS HI-KAB+, LO-KAB, LO-KOMBI, DUO-KAB, TRIO-KAB MODULES



### CABINET DIVIDER/BLOCK-OFF PANEL

PART No.	DIMENSIONS	NOM WT.	SHIP WT.	CLR
DIV-18	30-1/8"W x 23-1/4"D	10 LBS	12 LBS	BLK

- ELECTROSTATIC POWDER-COAT BLACK TEXTURED PAINT FINISH
- USE TO DIVIDE DUO-KAB & KLOSET-KAB INTO TWO COMPARTMENTS
- USE TO BLOCK-OFF TOP PORTION OF ALL LOWER CABINETS IN LIEU OF USING COUNTERTOP ACCESSORY



### CABINET DECORATIVE PANELS (PAINTED or SS)

PART No.	DIMENSIONS	NOM WT.	SHIP WT.	CLR
RDP-18	29-7/8"W x 31-3/4"H	10 LBS	12 LBS	BLK
SDP-18	23-1/8"D x 31-3/4"H	10 LBS	12 LBS	6 or SS
SDP-16	23-1/8"D x 23-3/4"H	8 LBS	10 LBS	6 or SS
SDP-11	11-7/8"D x 23-3/4"H	4 LBS	6 LBS	6 or SS

#### RDP-18

- FOR CONCEALMENT OF REAR MOUNTING SLOTS ON ALL LOWER CABINET BACKS (FITS LO-KAB, LO-KOMBI, LO-GLIDE, DUO-KAB & TRIO-KAB MODULES)
- 18-GAUGE SATIN-COAT CONSTRUCTION
- ELECTROSTATIC POWDER-COAT BLACK TEXTURED FINISH
- MOUNTS TO CABINET BACK WITH (12x) BLACK SCREWS
- FACTORY-INSTALLED ACCESSORY ITEM

#### SDP-18/SDP-16/SDP-11

- FOR COLOR MATCHING SIDES OF CABINET CHASSIS TO FRONT DOOR PANEL FINISH
- SDP-18: FITS LO-KAB, LO-KOMBI, LO-GLIDE, DUO/TRIO-KAB
- SDP-16: FITS HI-KAB+
- SDP-11: FITS HI-KAB, HI-KAB+KOMPACT
- 18-GAUGE SATIN-COAT CONSTRUCTION
- ELECTRO. POWDER-COAT HI-GLOSS PAINT OR STAINLESS
- FACTORY-INSTALLED ACCESSORY ITEM

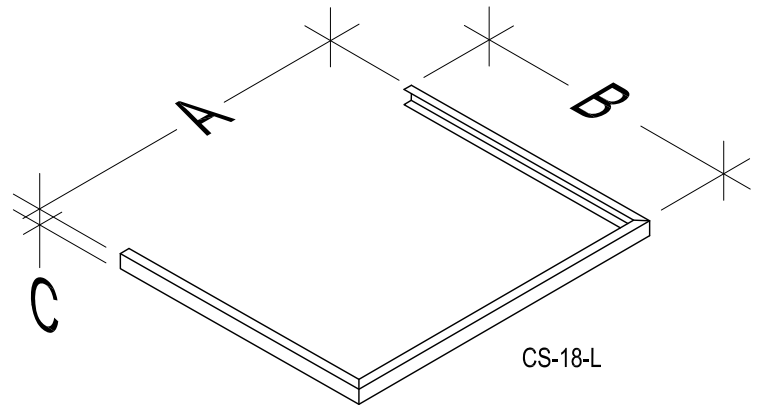
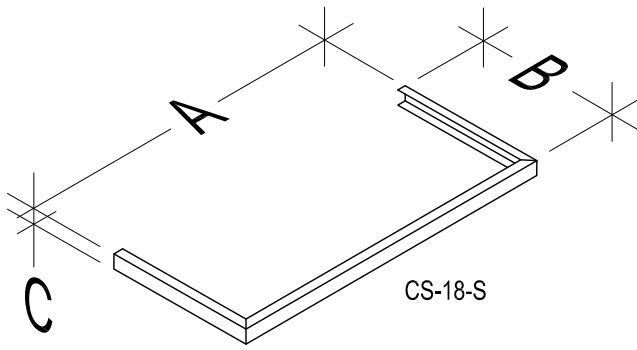


COPYRIGHT 2012-2023 - CONTUR CABINET LTD. - MONTREAL, CANADA  
SPECIFICATIONS SUBJECT TO CHANGE WITHOUT NOTICE

### CABINET ACCESSORY SPECIFICATIONS CCL-14

PROJECT \_\_\_\_\_

DATE \_\_\_\_\_ APPROVED \_\_\_\_\_



### CABINET SPACER (PAINTED)

	PART No.	(A) WIDTH	(B) DEPTH	(C) THICK	NOM.WT.	SHIP WT.
(a)	CS-18-S	30-1/8"	11-7/8"	1-1/4"	1 LB	1 LB
(b)	CS-18-L	30-1/8"	23-3/16"	1-1/4"	2 LBS	2 LBS

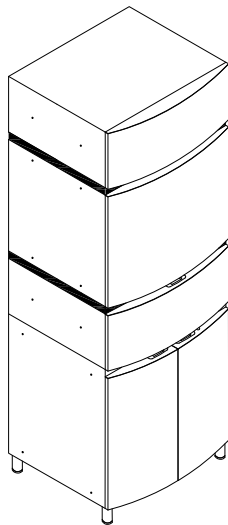
- USED FOR VERTICAL STACKING OF MULTIPLE CABINETS WHERE SPACING IS REQUIRED TO ACCESS DOOR HANDLE. ALSO USED TO PROVIDE ADEQUATE CLEARANCE FOR DOOR OPENING IN LOW CEILING HEIGHT APPLICATIONS.

(NOT REQUIRED WHEN STACKING HI-KAB+ & HI-KAB+ KOMPACT MODULES ON TOP OF DUO-KAB & TRIO-KAB MODULES)

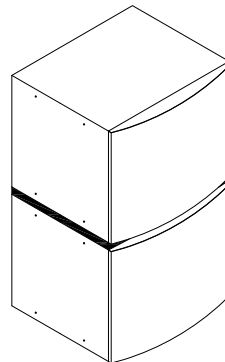
- ALL-METAL 18-GAUGE MITRED-CORNER SATIN-COAT CONSTRUCTION
- ELECTROSTATIC POWDER-COAT BLACK TEXTURED PAINT FINISH
- MOUNTS TO TOP OR BOTTOM OF CABINETS WITH FACTORY-SUPPLIED BLACK SELF-DRILLING SCREWS
- FIELD-INSTALLED ACCESSORY ITEM

(a) CS-18-S : USED WITH HI-KAB & HI-KAB KOMPACT MODULES

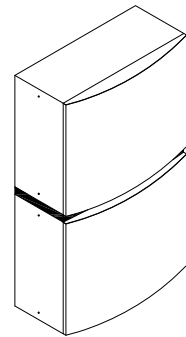
(b) CS-18-L : USED WITH HI-KAB+, HI-KAB+ KOMPACT & LO-GLIDE1 MODULES



LO-KAB SHOWN WITH STACKED 12" DRAWER, HI-KAB+ & HI-KAB+ KOMPACT MODULES WITH (2x) CS-18-L SPACERS



(2x) HI-KAB+ MODULES SHOWN WITH CS-18-L SPACER



(2x) HI-KAB MODULES SHOWN WITH CS-18-S SPACER



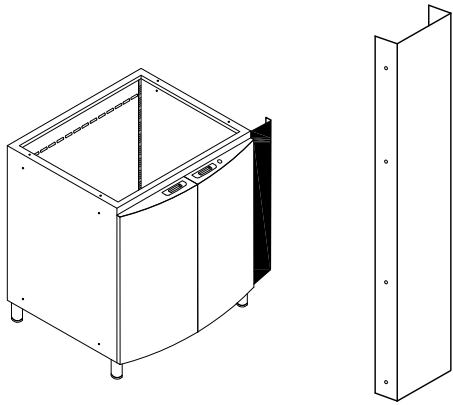
COPYRIGHT 2012-2023 - CONTUR CABINET LTD. - MONTREAL, CANADA  
SPECIFICATIONS SUBJECT TO CHANGE WITHOUT NOTICE

### CABINET ACCESSORY SPECIFICATIONS CCL-15

PROJECT \_\_\_\_\_

DATE \_\_\_\_\_ APPROVED \_\_\_\_\_





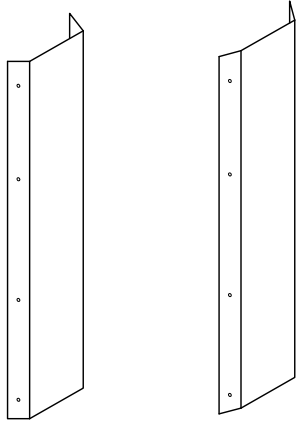
LO-KAB SHOWN WITH FILL-18

FILL-18-XX

## CUSTOM CABINET FILLER (PAINTED OR STAINLESS)

PART No.	DIM.	FINISH	NOM WT.	SHIP WT.
FILL-18-XX	SPECIFY	SPECIFY	-	-

- USED AS A FILLER (EX: CABINET TO WALL)
- WILL FIT ALL LOWER & UPPER CABINETS
- MOUNTS TO CABINET SIDES (INCLUDES MTG HARDWARE)
- ALL-METAL 18-GAUGE SATIN-COAT CONSTRUCTION
- ELECTROSTATIC POWDER-COAT PAINT FINISH OR STAINLESS-STEEL
- FIELD-INSTALLED ACCESSORY ITEM
- SPECIFY WIDTH & COLOR/FINISH



COR-18-90

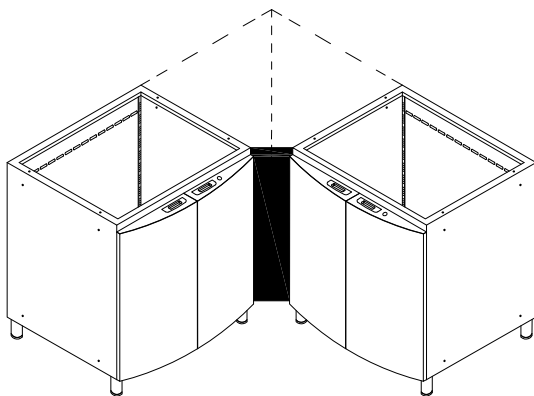
COR-18-45

## LOWER CORNER CABINET SPACER (PAINTED)

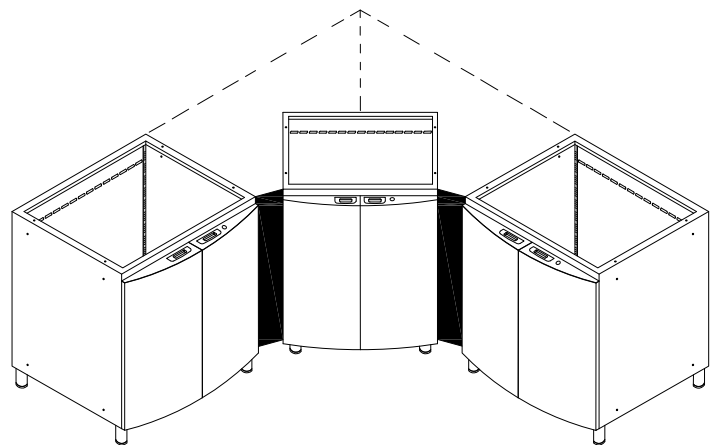
	PART No.	DIMENSIONS	FINISH	NOM WT.	SHIP WT.
(a)	COR-18-90	(1x) 5-1/2" x 32"L	MAT BLACK	4 LB	4.5 LB
(b)	COR-18-45	(2x) 5-1/2" x 32"L	MAT BLACK	8 LBS	9 LBS

- USED AS A SPACER FOR LOWER CORNER CABINET APPLICATIONS
- FITS ALL LOWER, DUO-KAB & TRIO-KAB CABINETS  
( WILL NOT FIT HI-KAB, HI-KAB+, HI-KAB KOMPACT UPPER CABINETS)
- MOUNTS TO CABINET SIDES (INCLUDES MTG HARDWARE)
- ALL-METAL 18-GAUGE SATIN-COAT CONSTRUCTION
- ELECTROSTATIC POWDER-COAT BLACK TEXTURED PAINT FINISH
- FIELD-INSTALLED ACCESSORY ITEM

- (a) COR-18-90 : USED FOR STANDARD 90 DEGREE CORNER APPLICATIONS  
 (b) COR-18-45 : USED FOR STAGGERED 45 DEGREE CORNER APPLICATIONS



(2x) LO-KABS SHOWN WITH COR-18-90 CORNER CABINET KIT INSTALLED ON STANDARD 90 DEGREE CORNER APPLICATION



(3x) LO-KABS SHOWN WITH COR-18-45 LOWER CORNER CABINET KIT INSTALLED ON STAGGERED 45 DEGREE CORNER APPLICATION

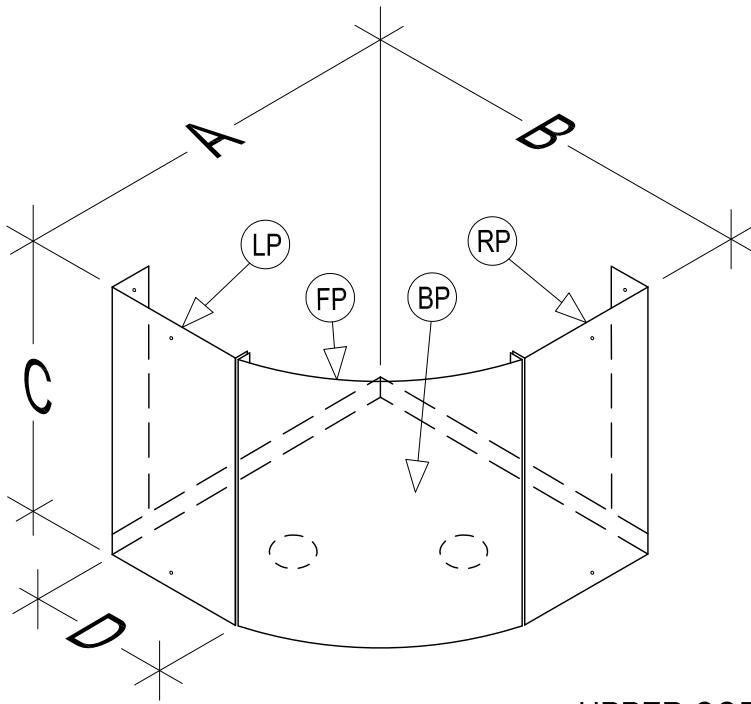


COPYRIGHT 2012-2023 - CONTUR CABINET LTD. - MONTREAL, CANADA  
 SPECIFICATIONS SUBJECT TO CHANGE WITHOUT NOTICE

## CABINET ACCESSORY SPECIFICATIONS CCL-16

PROJECT \_\_\_\_\_

DATE \_\_\_\_\_ APPROVED \_\_\_\_\_



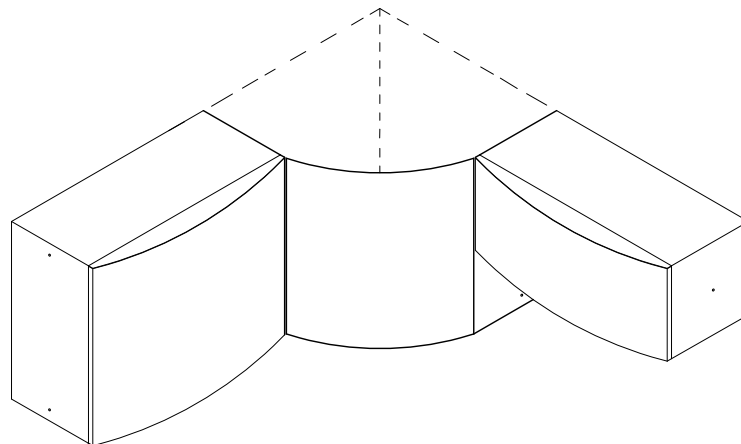
### UPPER CORNER MODULE (PAINTED)

PART No.	(A) WIDTH	(B) WIDTH	(C) HEIGHT	(D) DEPTH	NOM.WT.
HI-KAB-90	27-1/8"	27-1/8"	24"	12"	34 LBS

#### LIST OF COMPONENTS

PART	DESCRIPTION	COLOR
LP	LEFT PANEL	BLK TEXT
FP	FRONT PANEL	HI-GLOSS
BP	BOTTOM PANEL	BLK TEXT
RP	RIGHT PANEL	BLK TEXT

- USED AS A FILLER FOR UPPER 90° CORNER CABINET APPLICATIONS
- STATIC MODULE w/NON-OPERATING DOOR
- FITS HI-KAB & HI-KAB KOMPACT UPPER CABINETS  
( WILL NOT FIT HI-KAB+, HI-KAB+ KOMPACT UPPER CABINETS)
- MOUNTS TO CABINET TWINNING HOLES (INCLUDES MTG HARDWARE)
- 18-GAUGE SATIN-COAT STEEL CONSTRUCTION
- SIDES/BOTTOM: ELECTROSTATIC POWDER-COAT BLACK TEXTURED PAINT
- FRONT PANEL: ELECTROSTATIC POWDER-COAT HI-GLOSS PAINT FINISH
- COMPATIBLE w/LED UNDERCABINET TASK LIGHTING SYSTEM
- FIELD-ASSEMBLED & INSTALLED ACCESSORY ITEM (HARDWARE INCL.)



HI-KAB & HI-KAB KOMPACT SHOWN WITH HI-KAB-90  
UPPER CORNER MODULE INSTALLED ON  
STANDARD 90 DEGREE CORNER APPLICATION

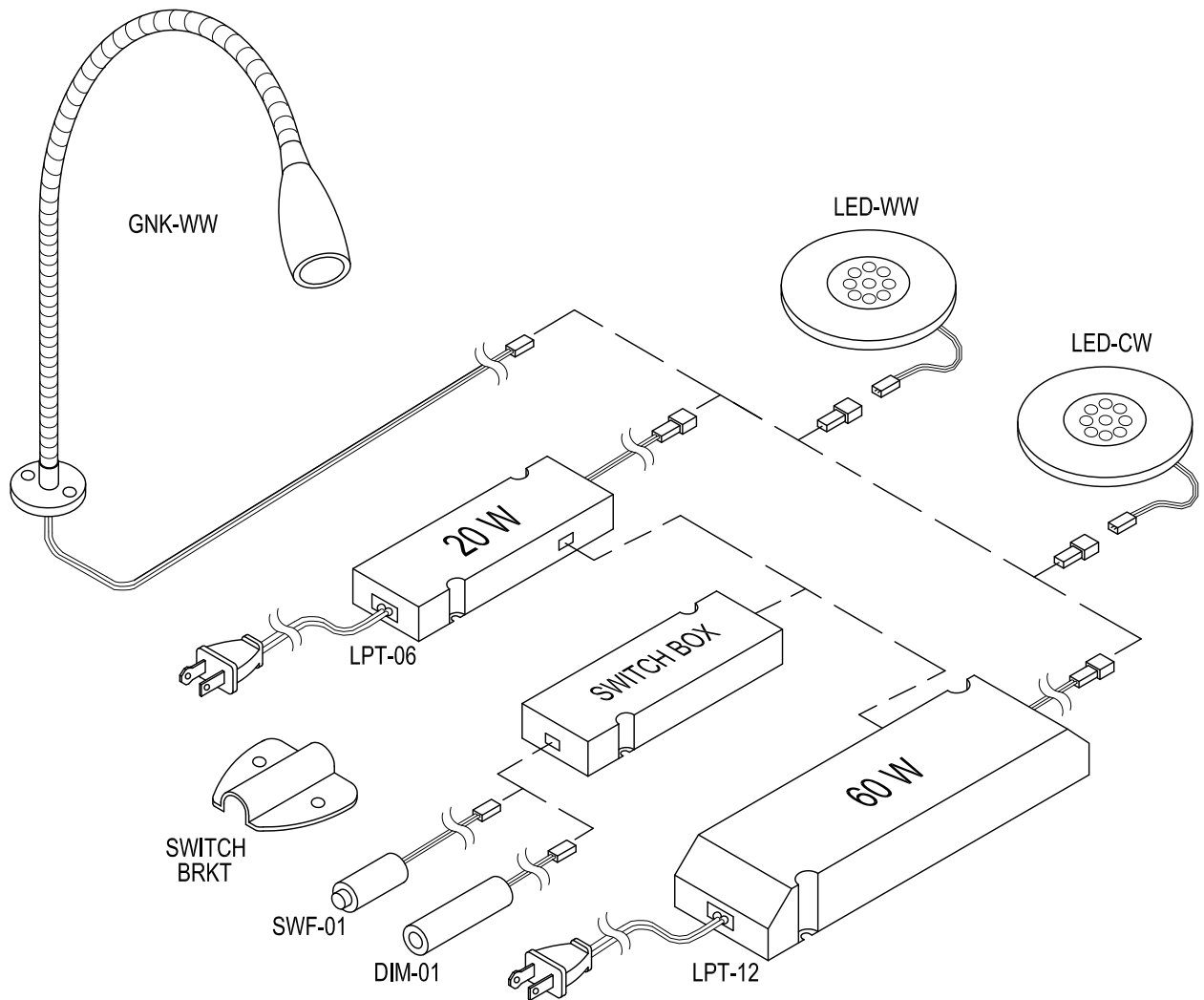


COPYRIGHT 2012-2023 - CONTUR CABINET LTD. - MONTREAL, CANADA  
SPECIFICATIONS SUBJECT TO CHANGE WITHOUT NOTICE

### CABINET ACCESSORY SPECIFICATIONS CCL-17

PROJECT \_\_\_\_\_

DATE \_\_\_\_\_ APPROVED \_\_\_\_\_



### LED UNDERCABINET TASK LIGHTING ACCESSORIES

PART No.	DESCRIPTION	INTENSITY	VOLTAGE	FINISH	WATTAGE	SHIP WT.
LED-CW	ROUND TASK LAMP-COOL WHITE	5000 K	12V	MAT BLACK	3.2 W	1/4 LB (a)
LED-WW	ROUND TASK LAMP-WARM WHITE	3000 K	12V	MAT BLACK	3.2 W	1/4 LB (a)
GNK-WW	GOOSENECK WORK LAMP -WARM WHT	3000 K	12V	SILVER	2.0 W	3/4 LB (b)
SWF-01	PUSH-BUTT SWITCH / BRKT / SWITCHBOX	-	-	-	-	- (c)
DIM-01	TOUCH DIM SWITCH / BRKT / SWITCHBOX	-	-	-	-	- (c)
LPT-06	20W POWER TRANSFORMER / DRIVER	-	115V	MAT BLACK	20 W	1/4 LB (d)
LPT-12	60W POWER TRANSFORMER / DRIVER	-	115V	MAT BLACK	60 W	1/2 LB (e)

(a) TWO PER KIT, 2-3/4" DIA., INCLUDES MOUNTING BRACKETS, PLUG'N PLAY WIRING HARNESS & HARDWARE  
LED LAMPS UL / ULC-LISTED FOR DRY INDOOR CABINET INSTALLATION ONLY

(b) MOUNTS TO COUNTERTOP, INCLUDES ROTARY ON / OFF SWITCH (DRILLING OF COUNTERTOP REQUIRED)

(c) INCLUDES SWITCHBOX & SURFACE-MOUNT SWITCH BRACKET

(d) LPT-06 - MAXIMUM OF SIX (6) TASK LIGHTS PER DRIVER, UL / ULC-LISTED c/w 6-FT POWER CORD

(e) LPT-12 - MAXIMUM OF TWELVE (12) TASK LIGHTS PER DRIVER, UL / ULC-LISTED c/w 6-FT POWER CORD

\* FIELD OR FACTORY-INSTALLED ACCESSORY ITEM



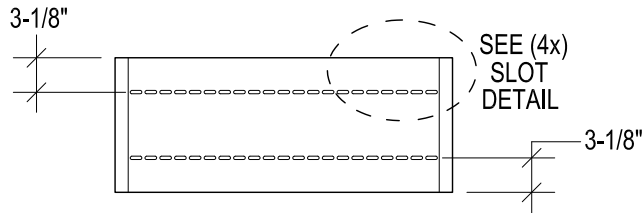
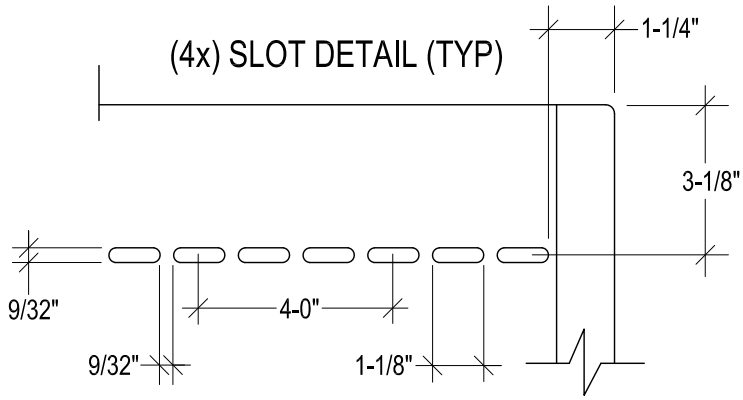
COPYRIGHT 2012-2023 - CONTUR CABINET LTD. - MONTREAL, CANADA  
SPECIFICATIONS SUBJECT TO CHANGE WITHOUT NOTICE

### CABINET LIGHTING SPECIFICATIONS CCL-18

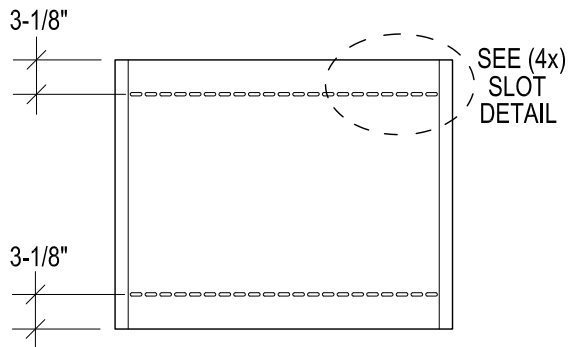
PROJECT \_\_\_\_\_

DATE \_\_\_\_\_ APPROVED \_\_\_\_\_

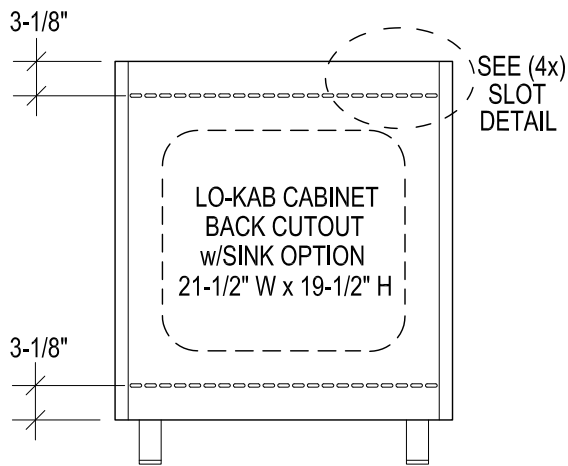
(4x) SLOT DETAIL (TYP)



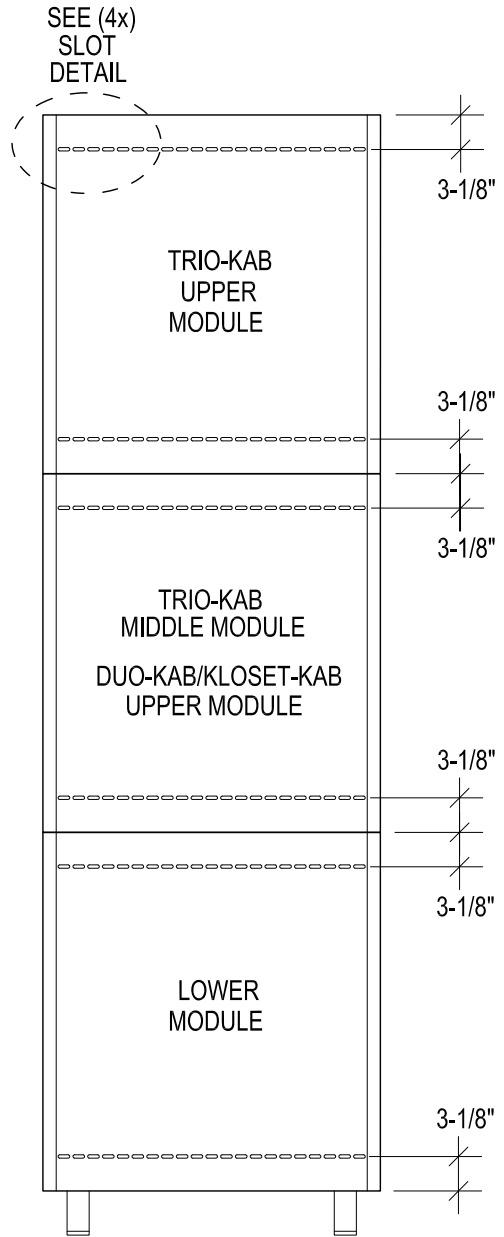
HI-KAB KOMPACT / HI-KAB+ KOMPACT  
LO-GLIDE-1 / LO-GLIDE-2



HI-KAB / HI-KAB+ / VENT-KAB



LO-KAB / LO-KOMBI / LO-GLIDE-3 to 6



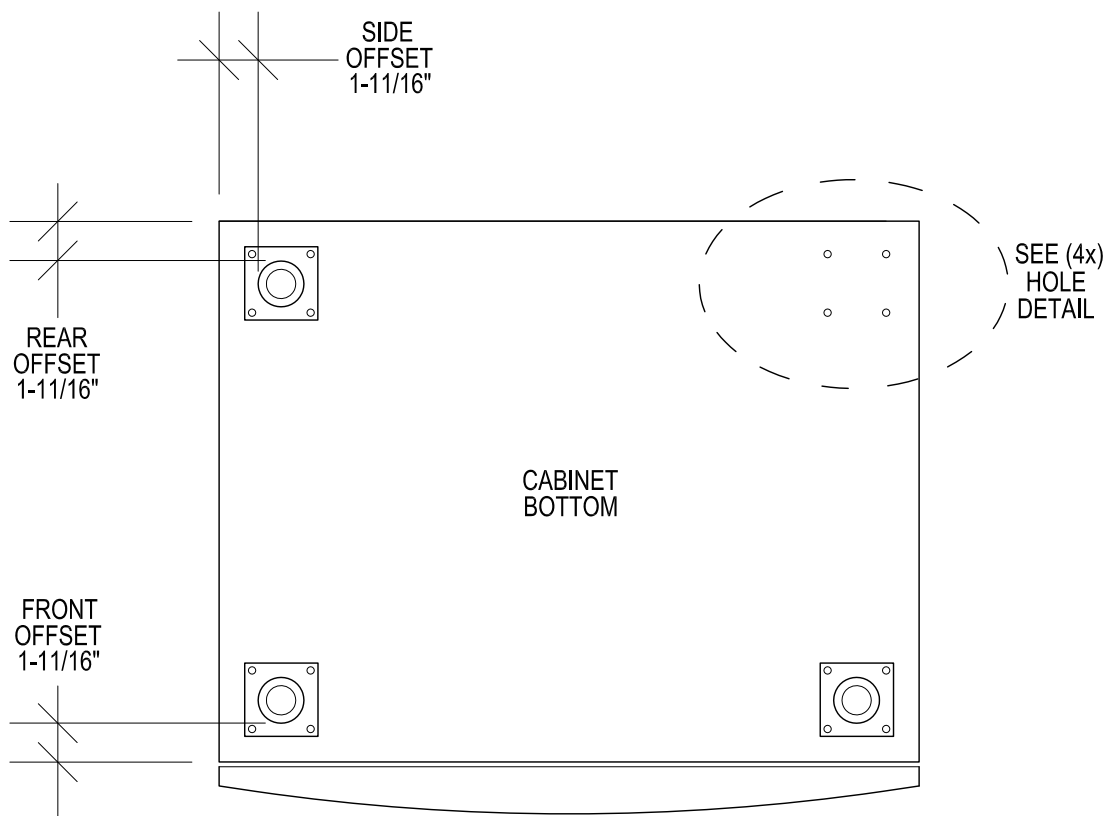
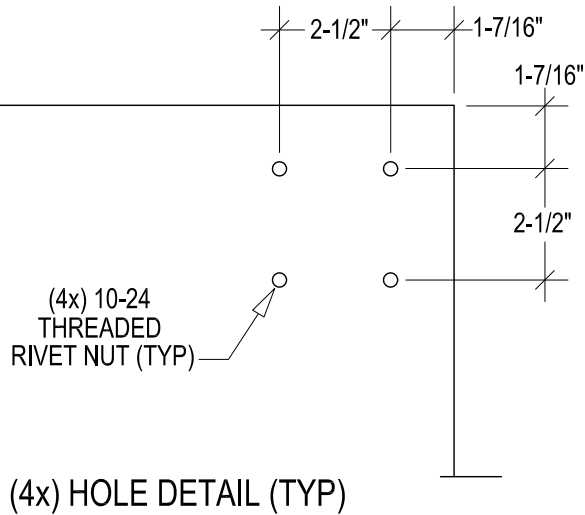
DUO-KAB / KLOSET-KAB / TRIO-KAB



CABINET BACK DETAIL SPECIFICATIONS CCL-19

PROJECT \_\_\_\_\_

DATE \_\_\_\_\_ APPROVED \_\_\_\_\_



LO-KAB / LO-KOMBI / LO-GLIDE  
DUO-KAB / KLOSET-KAB / TRIO-KAB / BENCH GLIDE

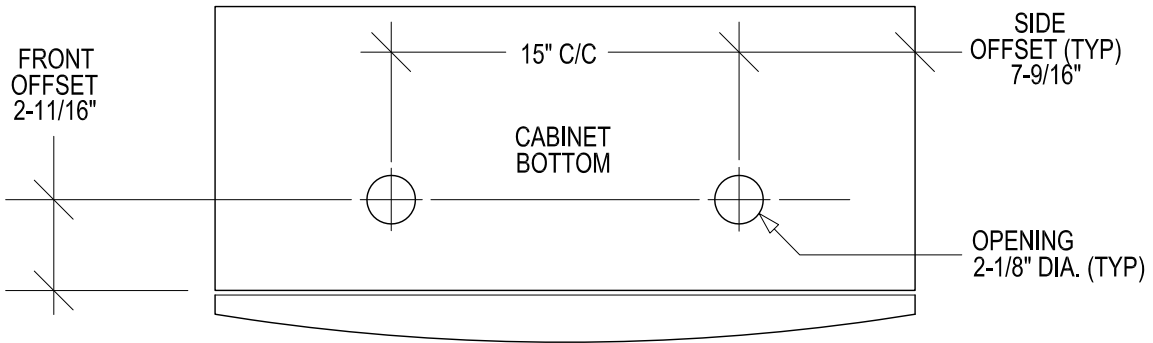


COPYRIGHT 2012-2023 - CONTUR CABINET LTD. - MONTREAL, CANADA  
SPECIFICATIONS SUBJECT TO CHANGE WITHOUT NOTICE

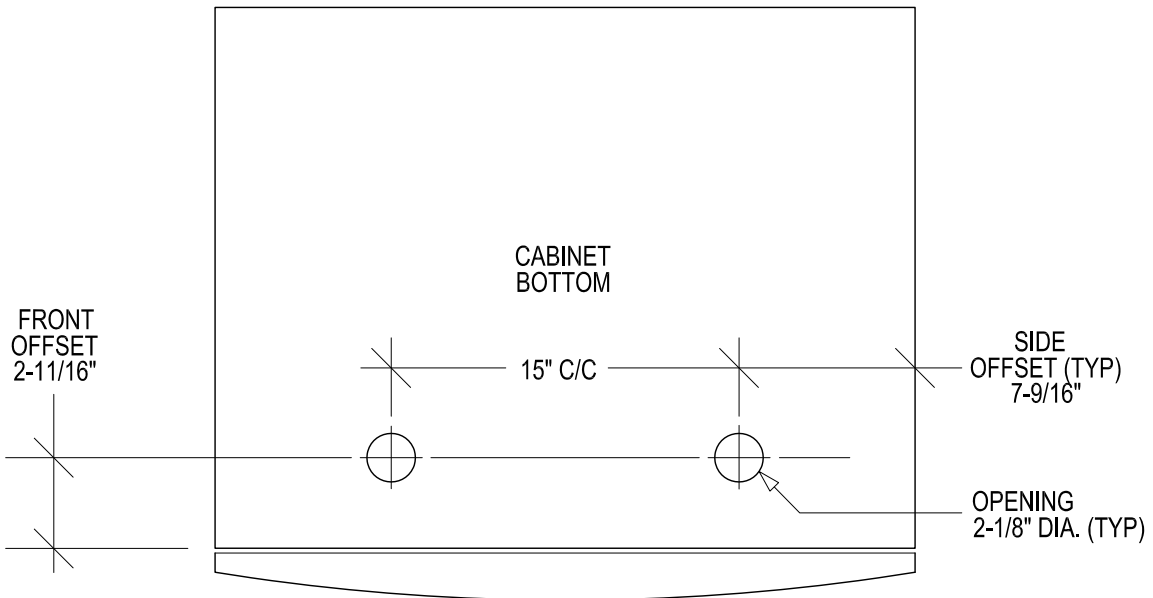
CABINET LEG MTG DETAIL SPECIFICATION CCL-20

PROJECT \_\_\_\_\_

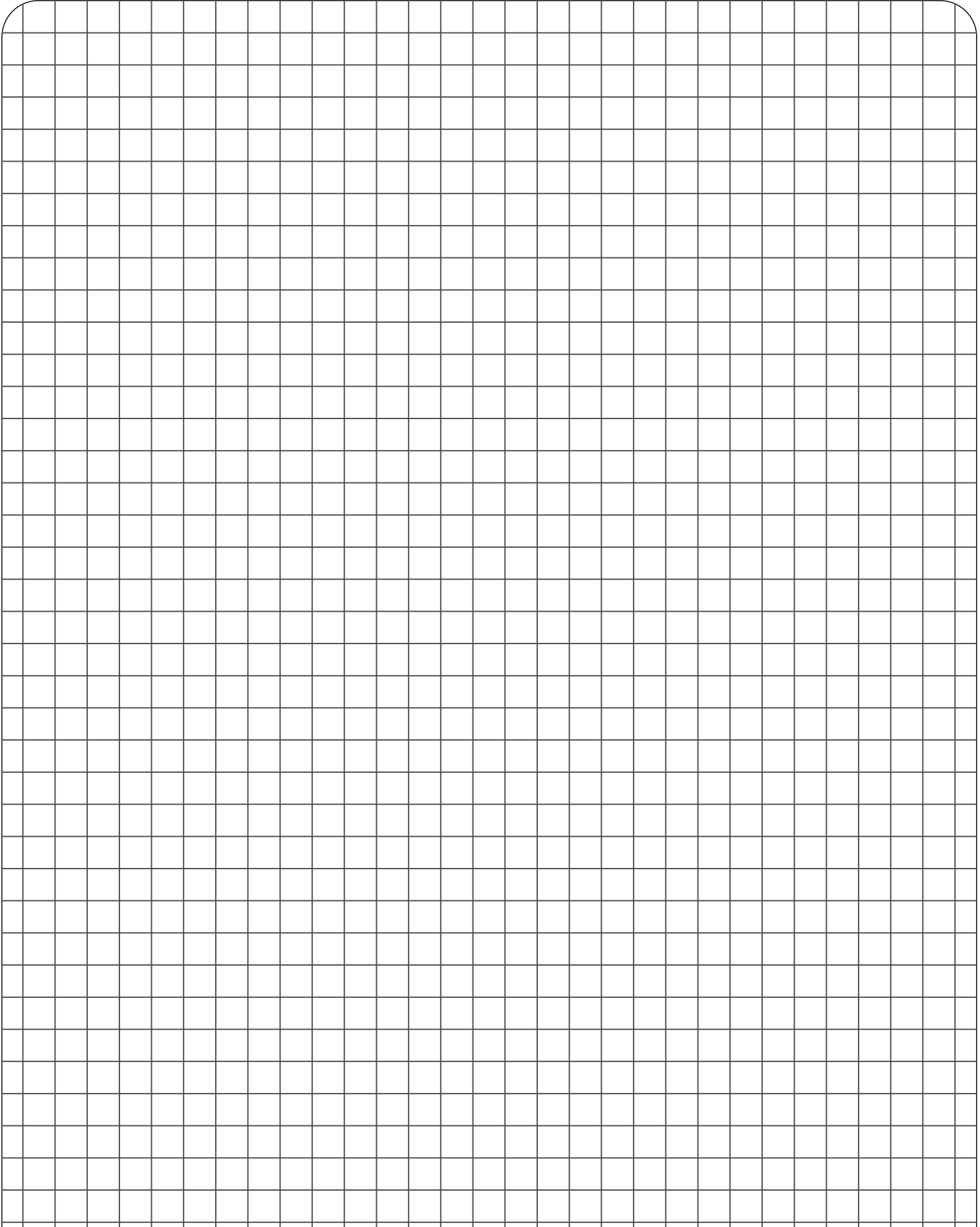
DATE \_\_\_\_\_ APPROVED \_\_\_\_\_



HI-KAB / HI-KAB KOMPACT



HI-KAB+ / HI-KAB+ KOMPACT



COPYRIGHT 2012-2023 - CONTUR CABINET LTD. - MONTREAL, CANADA  
SPECIFICATIONS SUBJECT TO CHANGE WITHOUT NOTICE

# PROJECT WORK SHEET

CCL-22

PROJECT \_\_\_\_\_

DATE \_\_\_\_\_ APPROVED \_\_\_\_\_